

# ***Hustler 3500/3700 Parts Manual***



**HUSTLER®**



*Hustler Turf Equipment*



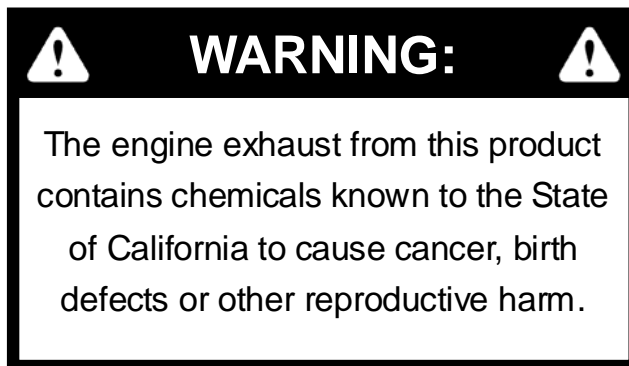
*P.O. Box 7000*



*Hesston, Kansas*



*67062-2097*



**NOTICE OF REQUIREMENT OF SPARK ARRESTER MUFFLER**

This equipment may create sparks that can start fires around dry vegetation. California Public Resources Code Section 4442.6 provides that it is unlawful to use or operate an internal combustion engine on any forest-covered, brush-covered, or grass-covered land unless the engine is equipped with a spark arrester maintained in effective working order. A spark arrester is a device constructed of nonflammable materials specifically for the purpose of removing and retaining carbon and other flammable particles over 0.0232 of an inch in size from the exhaust flow of an internal combustion engine that uses hydrocarbon fuels or which is qualified and rated by the United States Forest Service. Other states or federal areas may have similar laws. The Operator Should Contact Local Fire Agencies For Laws or Regulations Relating to Fire Prevention Requirements. **THIS EQUIPMENT DOES NOT HAVE A SPARK ARRESTER AND YOU SHOULD CONTACT YOUR AUTHORIZED DEALER FOR THE PURCHASE OF A SPARK ARRESTER.**

**Inspect spark arrester daily; replace every 500 hours or as needed.**

**The Engine Owner's Manual provides information regarding the U.S. Environmental Protection Agency (EPA) and the California Emission Control Regulation of emission systems, maintenance and warranty.**

**Keep Engine Owner's Manual with your unit. Should the Engine Owner's Manual become damaged or illegible, replace immediately. Replacements may be ordered per the information found in the Product Information section of the owner's manual.**

---

# Table of Contents

## Section 1

General Information .....	1-1
---------------------------	-----

## Section 2

Chassis and ROPS .....	2-2
Body Panels .....	2-4
Fire Wall .....	2-6

## Section 3

Attachment Lift Arms .....	3-2
Lift Cylinder Breakdown .....	3-4

## Section 4

Steering Column and Foot Rest .....	4-2
Instrument Panel .....	4-4
Throttle and PTO Levers .....	4-6
Park Brake and Speed Range/4WD Levers .....	4-8
Hydrostatic Transmission Pedals .....	4-10
Brake Pedals .....	4-12

## Section 5

Transmission Levers & Actuators .....	5-2
Transmission Front Gears & Bearings .....	5-4
Transmission Rear Gears & Bearings .....	5-6
Clutch Assembly .....	5-8
Front Axle Differential .....	5-10
Parking Brake Cable Retention .....	5-12
Brake Assembly .....	5-13
Rear Axle .....	5-14
Rear Axle and Drop Box (FWD) .....	5-16
Steering Cylinder .....	5-20

## Section 6

Control Valve and Hydraulic Pump .....	6-2
Control Valve .....	6-4
Hydraulics Filters .....	6-6
Hydrostatic Drive Coupling .....	6-8
HST Assembly .....	6-10
Hydraulic Pump .....	6-13
Steering Case Hydraulics .....	6-14

## Section 7

Exhaust Manifold .....	7-2
Air Cleaner & Muffler .....	7-4
Radiator .....	7-6
Engine Support .....	7-8
Fuel Tank .....	7-10
Fuel Lines & Battery .....	7-12

---

**Section 8**

Wire Harness . . . . . 8-2

**Section 9**

Control Decals . . . . . 9-2

Tractor Decals—S/N Prior to 09080000 . . . . . 9-4

Tractor Decals—S/N 09080000 & Higher . . . . . 9-6

Wheel Assembly . . . . . 9-8

**Section 10**

Seat Assembly—S/N Prior to 09080000 . . . . . 10-2

Seat Assembly—S/N 09080000 and Higher . . . . . 10-4

Counter Weights . . . . . 10-6

# Section 1

## General Information

This Manual covers the Hustler 3500 model **928705** & Hustler 3700 model **928713**

---

## Frequently Ordered Parts

<b>PART NO.</b>	<b>DESCRIPTION</b>
140517020	Engine Oil Filter
360720130	Fuel Filter
785261	Air Filter
785279	Safety Filter
340501040	HST Hydraulic Oil Filter
340500750	Transmission Hydraulic Oil Filter
080109061	Fan Belt

## Replacement Engines

<b>PART NO.</b>	<b>DESCRIPTION</b>
139232	N843 Diesel Engine used on 928705
139234	N843L Diesel Engine used on 928713

---

## Service Literature

<b>PART NO.</b>	<b>DESCRIPTION</b>
109627	Owner's Manual
109821	Engine Owner's Manual
110749	Engine Parts Manual N843 & N843L

---

*Note: When ordering parts, you must use the part number as shown for each part, not the index number. Always give the model and serial number to your parts and service representative.*

*Note: Items sold in bulk such as seals and hoses are sold by the foot.*

---

## Using this manual

Illustrations used were current at the time of printing, but subsequent production changes may cause your machine to vary slightly in detail. Excel Industries, Inc. reserves the right to redesign and change the machine as deemed necessary, without notification. If a change has been made to your machine which is not reflected in this parts manual, see your Hustler dealer for current information and parts.

## Hardware Description Codes & Abbreviations

The following codes are used throughout this parts manual. Refer to this list when ordering parts.

<b>ABBREVIATION</b>	<b>DESCRIPTION</b>
CB	Carriage Bolt
CE	Clevis Pin
CP	Cotter Pin
CS	Cap Screw
CW	Cup Washer
FDRW	Fender Washer
FW	Flat Washer
HX	Hex Head
LW	Lock Washer
MB	Machine Bushing
MS	Machine Screw
NT	Nut
SC	Self Tapping Cap Screw
SH	Socket Head
SB	Shoulder Bolt
SS	Set Screw
OD	Outside Diameter
ID	Inside Diameter

---

## Standard Torques

The following chart lists the standard torque values for the threaded fasteners found in this manual. Torque all cap screws, nuts and set screws to these values unless a different torque is shown in the Notes section next to the fastener.

<b>SIZE</b>	<b>FT-LBS</b>	<b>NM</b>	<b>SIZE</b>	<b>FT-LBS</b>	<b>NM</b>
.250	8.2	11.1	M3	1	1.3
.312	17	23	M4	2.2	3
.375	30	40	M5	4.5	6.1
.438	48	65	M6	7.7	10.4
.500	73	99	M8	18.5	25
.562	105	143	M10	37	50
.625	145	200	M12	64	87
.750	260	350	M14	80	108.5
.875	420	565	M16	160	215
1.00	625	850	M20	320	435
			M24	555	750

---

### **NOTE:**

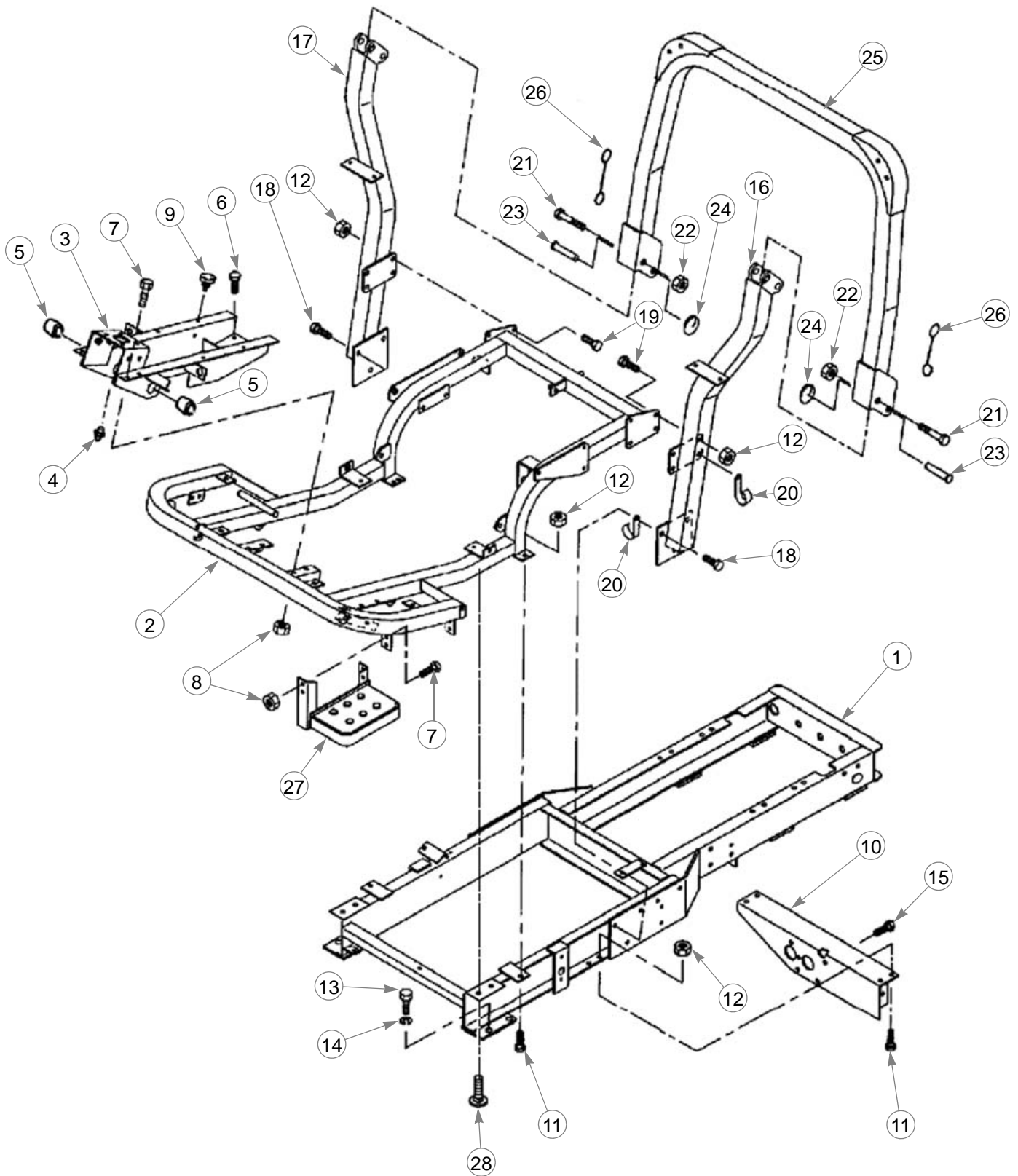
Loctite® 592 to be used on all pipe threads.  
Lubricate all grease zerks.

---

## Section 2

Chassis and ROPS .....	2-2
Body Panels.....	2-4
Fire Wall.....	2-6

# Chassis and ROPS





---

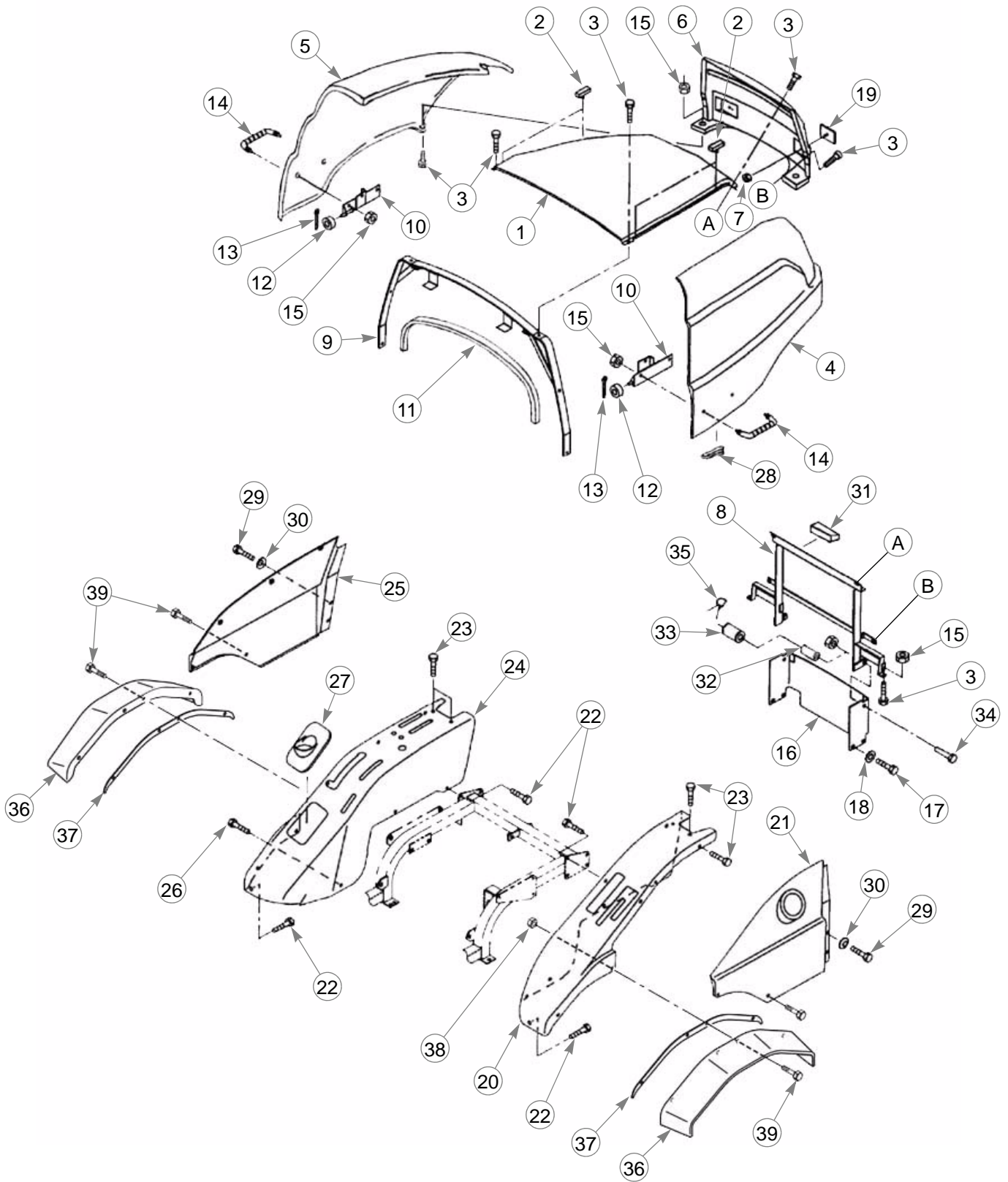
## **Chassis and ROPS**

<b>INDEX NO.</b>	<b>SERVICE PART NO.</b>	<b>QTY.</b>	<b>DESCRIPTION</b>
1	320551654	1	REAR FRAME
2	320551671	1	FRONT FRAME
3	320551690	1	CENTER SUPPORT FRAME
4	060610000	1	M6 X .075 LUBE NIPPLE
5	398510070	2	BUSHING
6	011510820	2	M8 X 1.25 X 20 BOLT
7	010310820	8	M8 X 20, 8.8 HEX BOLT
8	021500008	8	NUT
9	398110110	4	RUBBER BUMPER
10	320560771	1	SIDE BRACKET
11	010311020	6	M10 X 20, 8.8 FULL THD HEX BOLT
12	021500010	12	NUT
13	010411425	4	M14 X 25 BOLT
14	027100014	4	9/16" LOCK WASHER
15	011511020	4	M10 X 20 BOLT
16	378306890	1	L ROPS FRAME
17	378306910	1	R ROPS FRAME
18	011311225	6	M12 X 25 BOLT
19	010311025	6	M10 X 1.5 X 25 HH CL 8.8 CAP SCREW
20	399111970	2	CLAMP
21	010109502	2	M16 x 90 8.8 HEX BOLT
22	022409003	2	M16 X 1.5 NUT
23	399611460	2	PIN
24	398213410	2	SPRING CLIP
25	378306930	1	ROPS FRAME
26	398230070	2	ROPS WIRE
27	355605290	1	STEP
28	011511020	2	M10 X 20 BOLT

---

### **NOTES:**

# **Body Panels**



---

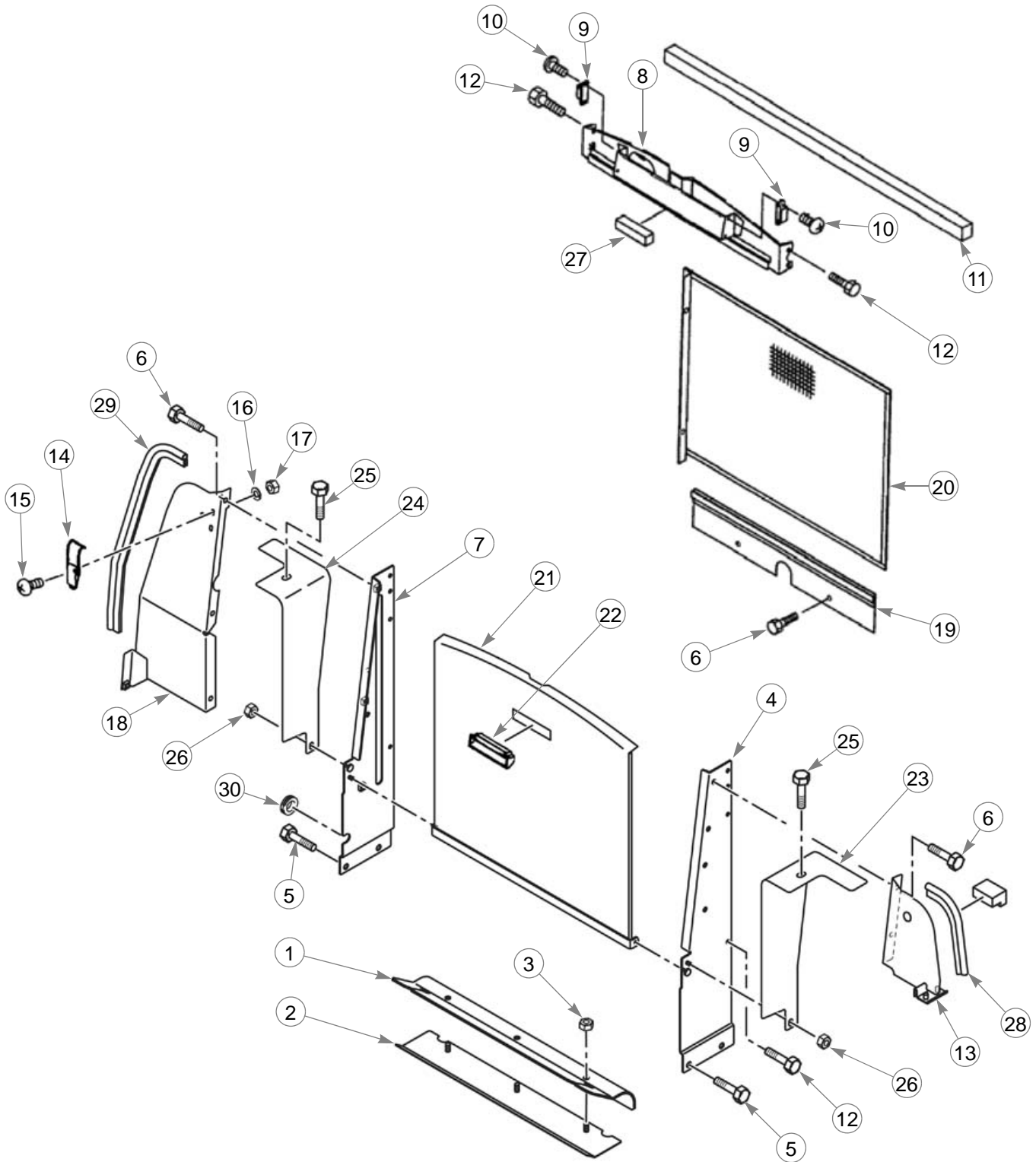
## **Body Panels**

INDEX NO.	SERVICE PART NO.	QTY.	DESCRIPTION
1	350111380	1	CENTER ENGINE HOOD PANEL
2	398121150	4	HOOD INSERT
3	010800820	8	M8 X 20 8.8 HEX FLG BOLT
4	378107720	1	LEFT SIDE HOOD PANEL
5	378107730	1	RIGHT SIDE HOOD PANEL
6	350103830	1	GRILLE SUPPORT
7	023100005	2	M5 X 1 NUT
8	350502753	1	GRILLE SUPPORT
9	350502770	1	HOOD SUPPORT
10	350502781	2	HANDLE BRACKET
11	398131310	1	FELT SEAL
12	398512160	2	HOOD LATCH ROLLER
13	030102516	2	SPLIT (COTTER) PIN
14	398180671	2	HOOD HANDLE
15	023100008	6	M8 X 1.25 NUT
16	350755992	1	GRILLE COVER
17	011511020	4	M10 X 20 BOLT
18	026100010	4	M10 X 20 X 2 SPRING WASHER
19	385150200	2	REFLECTOR LAMP HOOD
20	355105920	1	LEFT FENDER
21	378107740	1	FUEL TANK PANEL
22	010800820	4	M8 X 20, 8.8 HEX FLG BOLT
23	010809007	10	M8 X 14 BOLT
24	355105930	1	RIGHT FENDER
25	378107750	1	LEFT SIDE PANEL
26	010800820	4	M8 X 20, 8.8 HEX FLG, BOLT
27	398120410	1	CUP HOLDER
28	398115430	1	RUBBER WEATHERSTRIP
29	010109435	4	BOLT
30	398211210	4	WASHER
31	398131210	1	FELT SEAL
32	398121440	2	RUBBER SLEEVE
33	399235760	2	COLLAR
34	031311045	2	M10 X 45 PIN
35	031100010	2	SNAP PIN
36	355111970	2	FENDER EXTENSION
37	355171760	2	SET PLATE
38	023100008	4	M8 X 1.25 NUT
39	010800820	6	M8 X 20, 8.8 HEX FLG BOLT

---

### **NOTES:**

# Fire Wall



---

# **Fire Wall**

INDEX NO.	SERVICE PART NO.	QTY.	DESCRIPTION
1	398123020	1	CLEANOUT FLAP
2	310361660	1	MOUNT FLAP
3	023100008	3	M8 X 1.25 NUT
4	310301160	1	LEFT ROD SUPPORT BRACKET
5	011511020	4	M10 X 20 BOLT
6	010800816	2	M8 X 16 BOLT
7	310301180	1	RIGHT BRACKET
8	310352641	1	TOP ROD SUPPORT BRACKET
9	398330290	2	MAGNET SCREEN FASTENER
10	015600416	4	SCREW
11	398133690	1	RUBBER SEAL
12	010800612	8	M6 X 12 BOLT
13	310353850	1	LEFT FILLER PLATE
14	398330320	1	LATCH
15	015300512	2	SCREW
16	027100005	2	M5 LOCK WASHER
17	020100005	2	M5 NUT, CL 10
18	310353870	1	RIGHT FILLER PLATE
19	310353890	1	LOWER SCREEN BRACKET
20	310140910	1	REMOVABLE SCREEN ROD
21	350312260	1	RADIATOR TILT SCREEN
22	398181770	1	RADIATOR SCREEN GRIP HANDLE
23	355780230	1	LEFT COVER
24	355780250	1	RIGHT COVER
25	010809007	2	M8 X 14 BOLT
26	023100006	2	M6 X 1 NUT
27	398134730	1	80MM RUBBER SEAL
28	398117710	1	260MM RUBBER SEAL
29	398123110	1	510MM RUBBER SEAL
30	398110100	1	GROMMET

---

## **NOTES:**

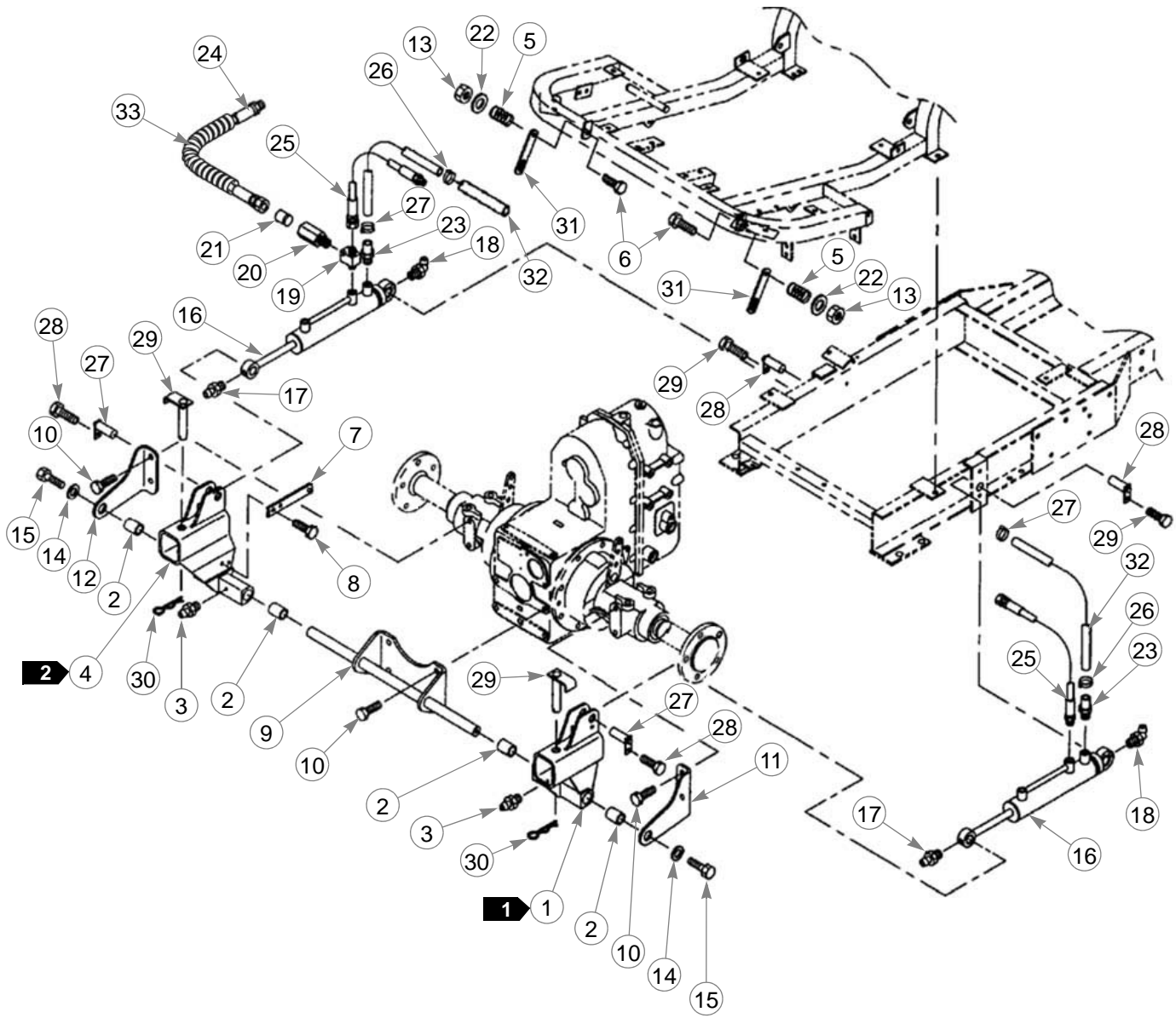


---

## Section 3

Attachment Lift Arms . . . . .	3-2
Lift Cylinder Breakdown. . . . .	3-4

# Attachment Lift Arms





---

## **Attachment Lift Arms**

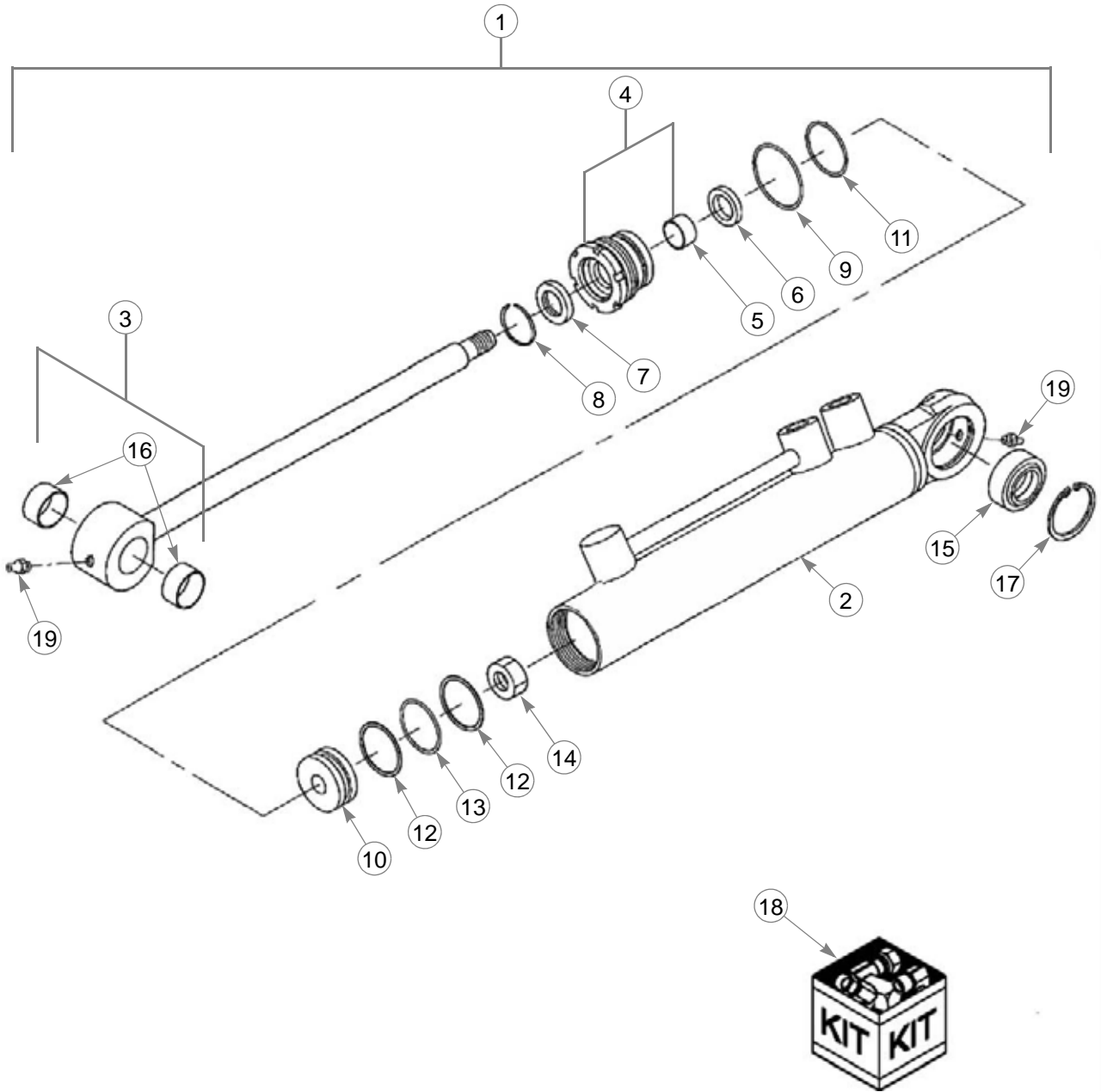
INDEX NO.	SERVICE PART NO.	QTY.	DESCRIPTION
1	344010270	2	LEFT TOOL BAR LIFT
2	398510300	4	DRIVE BUSHING
3	060610000	2	M6 X .075 LUBE NIPPLE
4	344010280	2	RIGHT TOOL BAR LIFT
5	398212310	2	SPRING
6	010311040	2	M10 X 40, 8.8, FULL THD HEX BOLT
7	399568720	1	LIFT PLATE
8	011510816	2	M8 X 16 BOLT
9	344902310	1	TOOL BAR PIVOT MOUNT
10	011511230	8	BOLT
11	370310590	1	LEFT TOOL BAR BRACKET
12	370310610	1	RIGHT TOOL BAR BRACKET
13	022300010	2	NUT
14	026109013	2	WASHER
15	011511020	2	M10 X 20 BOLT
16	344952790	2	LIFT CYLINDER
17	060620000	2	LUBE NIPPLE
18	060640000	2	LUBE NIPPLE
19	340673590	1	ADAPTER
20	340672830	1	ADAPTER
21	340170880	1	HYDRAULIC VALVE
22	026100010	2	M10 X 20 X 2 WASHER
23	340673820	2	ADAPTER
24	340692350	1	HYDRAULIC HOSE
25	340690450	1	HYDRAULIC HOSE
26	067200150	4	CLIP
27	399600110	4	PIN
28	011510812	4	M8 X 12 BOLT
29	370900760	2	PIN
30	599730030	2	PIN
31	370770130	2	LATCH
32	385960550	1	HYDRAULIC TUBE
33	385891128	1	SPIRAL TUBE

---

### **NOTES:**

1. Item 1 includes 2 each of item 2.
2. Item 4 includes 2 each of item 2.

# Lift Cylinder Breakdown



---

## **Lift Cylinder Breakdown**

<b>INDEX NO.</b>	<b>SERVICE PART NO.</b>	<b>QTY.</b>	<b>DESCRIPTION</b>
1	344952790	1	CYLINDER, LIFT
2	NFS	1	CYLINDER TUBE, NOT SERVICED SEPARATELY
3	NFS	1	PISTON ROD KIT, NOT SERVICED SEPARATELY
4	344960452	1	HYDRAULIC CYLINDER GUIDE KIT
5	344960429	1	BUSHING
6	NSS	1	ROD BACKING, NOT SERVICED SEPARATELY
7	NSS	1	DUST SEAL, NOT SERVICED SEPARATELY
8	344960437	1	SNAP RING
9	052400520	1	O-RING
10	NSS	1	PISTON, NOT SERVICED SEPARATELY
11	052310300	1	BACK-UP O-RING
12	NSS	2	BACK UP RING, NOT SERVICED SEPARATELY
13	052110290	1	O-RING
14	020910012	1	M12 NUT
15	344960436	1	LIFT CYLINDER BEARING
16	344960432	2	BUSHING
17	NSS	1	RING, SNAP, NOT SERVICED SEPARATELY
18	344960440	1	LIFT CYLINDER SEAL KIT
19	060620000	2	45°, 1/8" NPT X 7/8" LG LUBE NIPPLE

---

### **NOTES:**

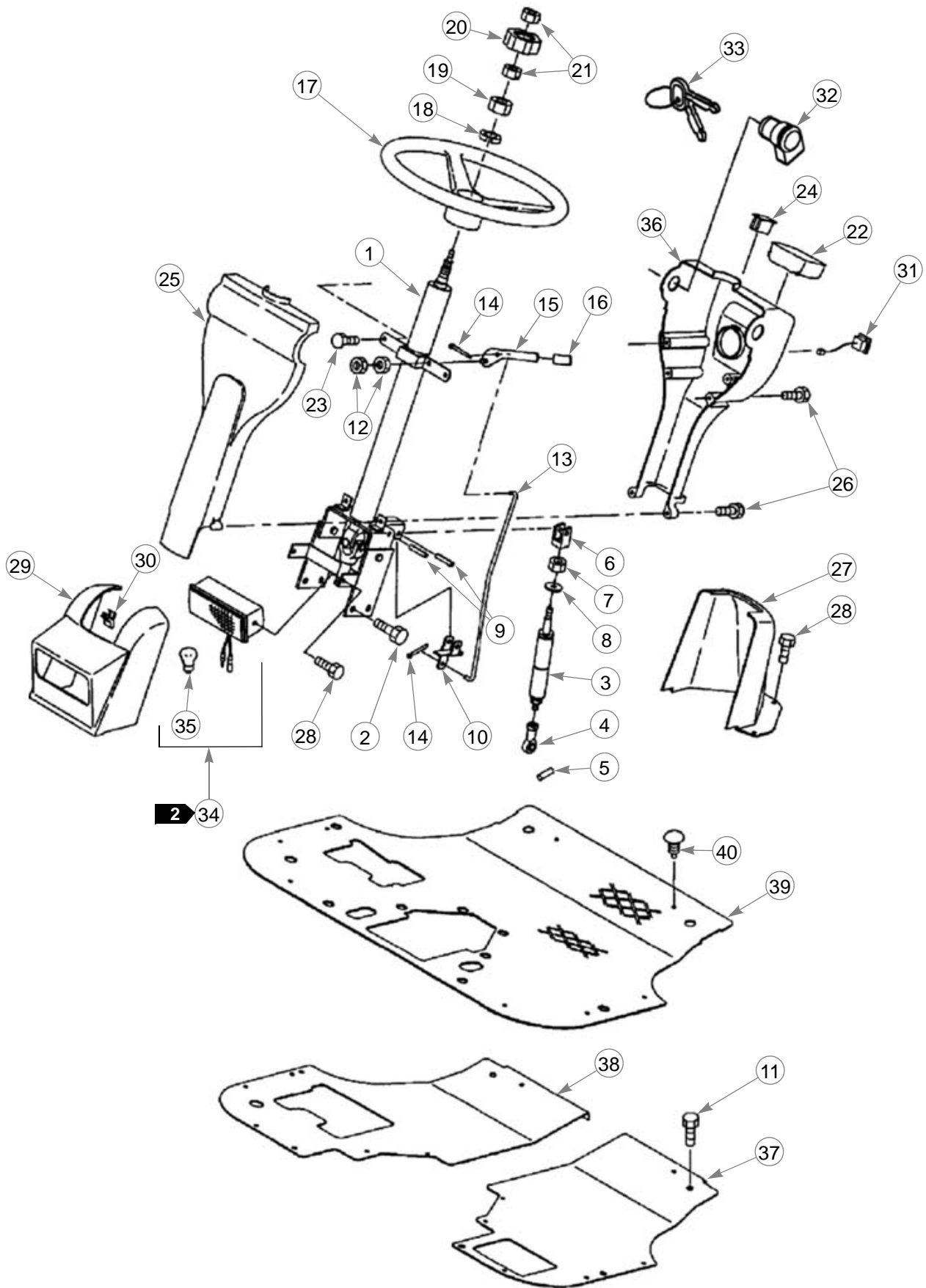
---

---

## Section 4

Steering Column and Foot Rest . . . . .	4-2
Instrument Panel . . . . .	4-4
Throttle and PTO Levers . . . . .	4-6
Park Brake and Speed Range/4WD Levers . . . . .	4-8
Hydrostatic Transmission Pedals . . . . .	4-10
Brake Pedals . . . . .	4-12

# Steering Column and Foot Rest



---

## **Steering Column and Foot Rest**

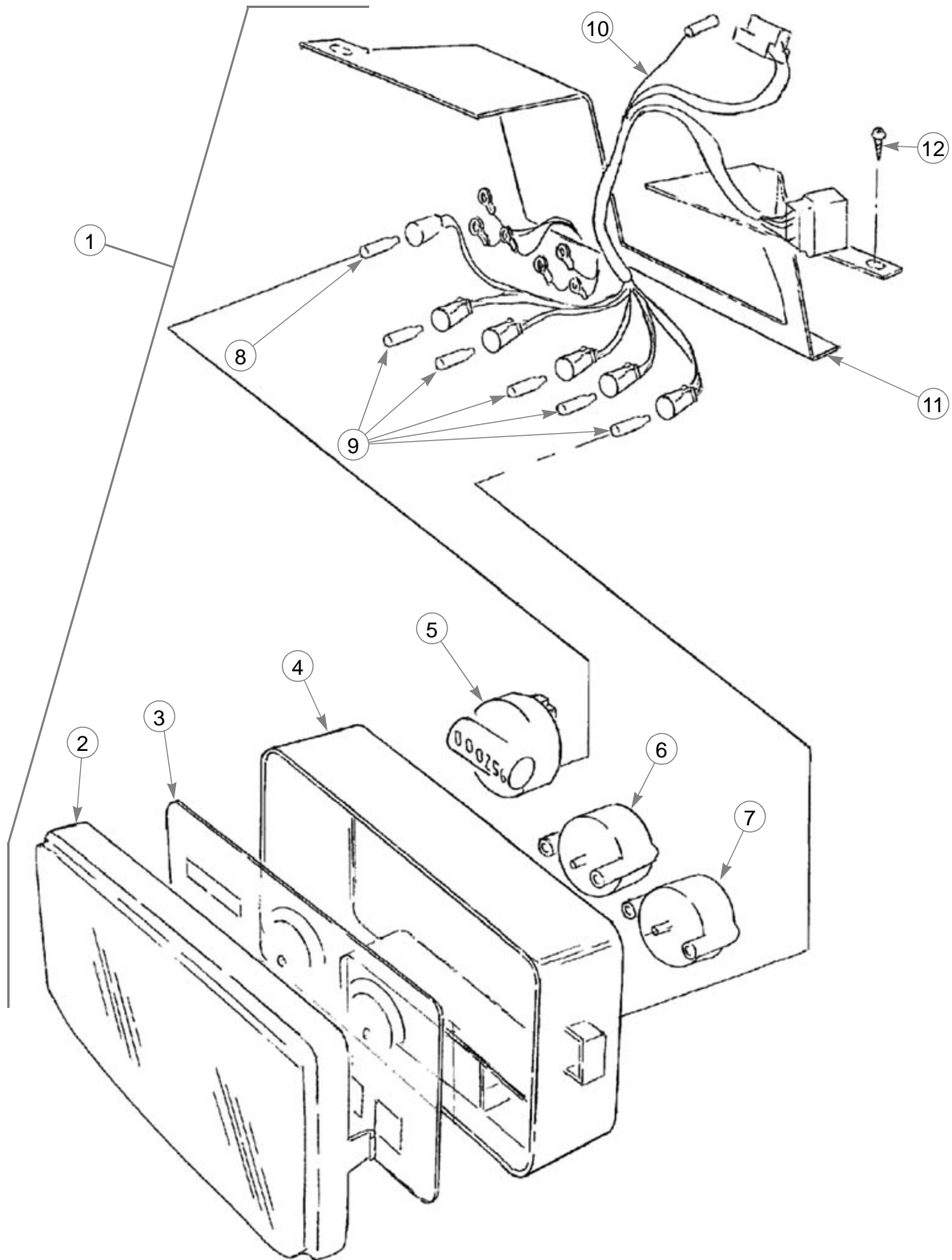
INDEX NO.	SERVICE PART NO.	QTY.	DESCRIPTION	
1	334040401	1	STEERING COLUMN	
2	011511020	4	M10 X 20 BOLT	
3	378910250	1	STEERING TILT DAMPER	
4	334801330	1	DAMPER ROD END	
5	030509021	1	45MM PIN	
6	324120990	1	TILT DAMPER YOKE	
7	020900010	1	M10, CL 8 NUT	
8	026109023	1	WASHER	
9	030300840	2	ROLL PIN	
10	399581330	1	TILT ROD BRACKET	
11	010800816	6	M8 X 16 BOLT	
12	020100006	2	M6, CL 10 NUT	
13	358511240	1	TILT STEERING ROD	
14	030102020	2	SPLIT (COTTER) PIN	
15	399581320	1	TILT HANDLE	
16	398181300	1	TILT HANDLE GRIP	
17	334310210	1	STEERING WHEEL	
18	027100014	1	9/16" LOCK WASHER	
19	020800014	1	NUT	
20	334320171	1	STEERING ADJUSTING KNOB	
21	020109125	1	NUT	
22	NFS	1	INSTRUMENT PANEL, NOT SERVICED SEPARATELY,	
23	010800612	2	M6 X 12 BOLT	
24	385830090	1	CAP PLUG	
25	350711570	1	FRONT STEERING COLUMN COVER	
26	011109012	4	SCREW	
27	350320390	1	LOWER COLUMN COVER	
28	010800616	6	M6 X 16 BOLT	
29	350320400	1	HEADLIGHT COVER	
30	398340460	2	CLIP	
31	385201810	1	LIGHT SWITCH	
<b>1</b>	32	385202110	1	IGNITION SWITCH
	33	385210280	1	IGNITION KEY
	34	385101910	1	FRONT HEADLIGHT LAMP
	35	385120700	1	23W BULB FT HEADLIGHT
	36	350711580	1	REAR STEERING COLUMN COVER
	37	355605070	1	LEFT FLOOR PAN
	38	355605150	1	RIGHT FLOOR PAN
	39	398120961	1	FLOOR MAT
	40	398340240	10	PUSH CLIP

---

### NOTES:

1. Item 32 includes item 33.
2. Item 34 includes item 35.

# Instrument Panel





---

## **Instrument Panel**

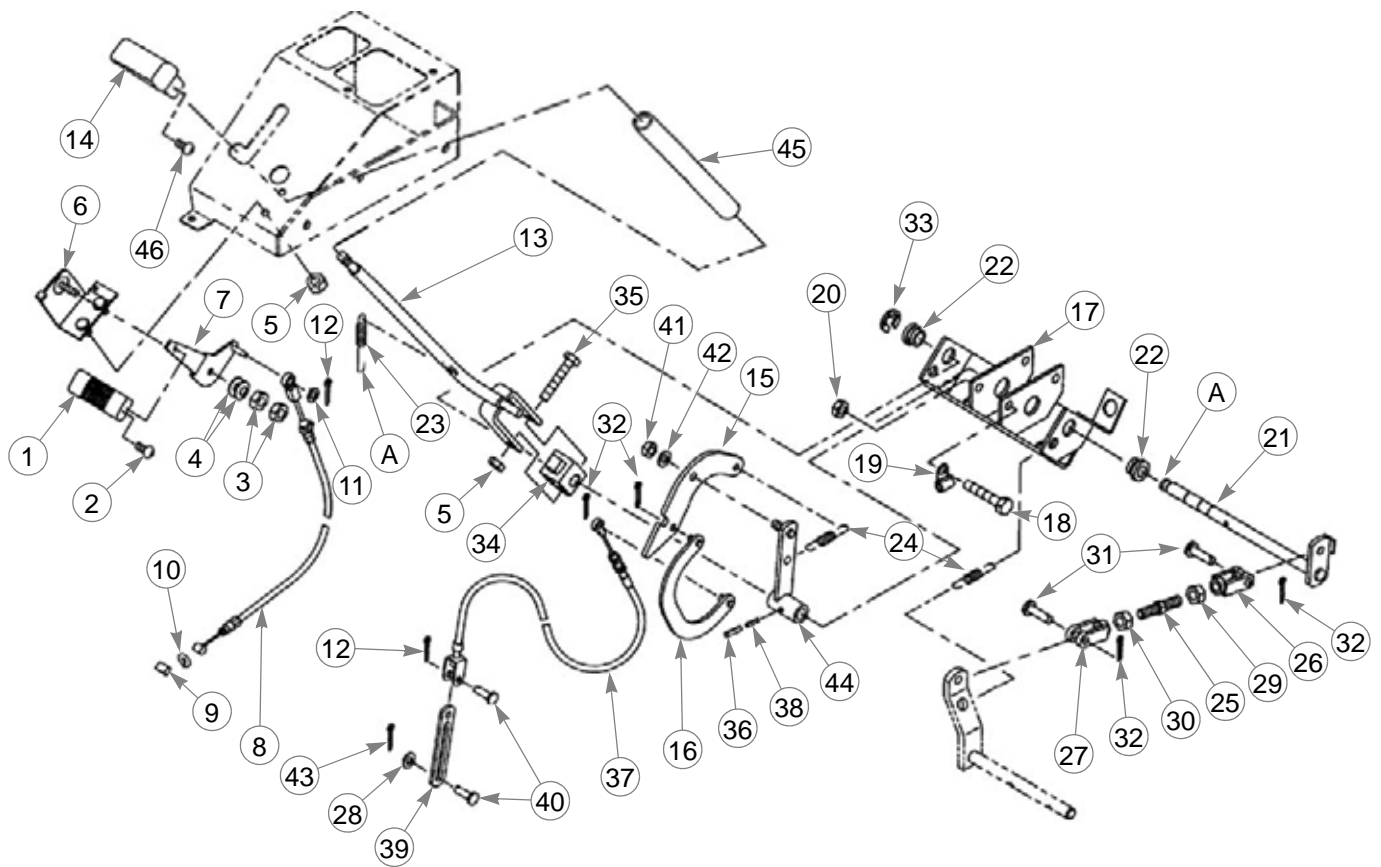
	<b>INDEX NO.</b>	<b>SERVICE PART NO.</b>	<b>QTY.</b>	<b>DESCRIPTION</b>
<b>1</b>	1	385040990	1	INSTRUMENT CLUSTER
	2	385470300	1	INSTRUMENT CLUSTER COVER
	3	NFS	1	GAUGE PLATE, NOT SERVICED SEPARATELY
	4	NFS	1	BODY, NOT SERVICED SEPARATELY
	5	NFS	1	HOUR METER, NOT SERVICED SEPARATELY
	6	NFS	1	TEMPERATURE GAUGE, NOT SERVICED SEPARATELY
	7	NFS	1	FUEL GAUGE, NOT SERVICED SEPARATELY
	8	385470302	1	12V, 2W BULB
	9	385470301	5	12V, 3W BULB
	10	NFS	1	WIRE HARNESS, NOT SERVICED SEPARATELY
	11	NFS	1	SUPPORT PLATE, NOT SERVICED SEPARATELY
	12	015600412	8	M4 X 12 SCREW

---

### **NOTES:**

1. Includes items 2 through 12.

# Throttle and PTO Levers

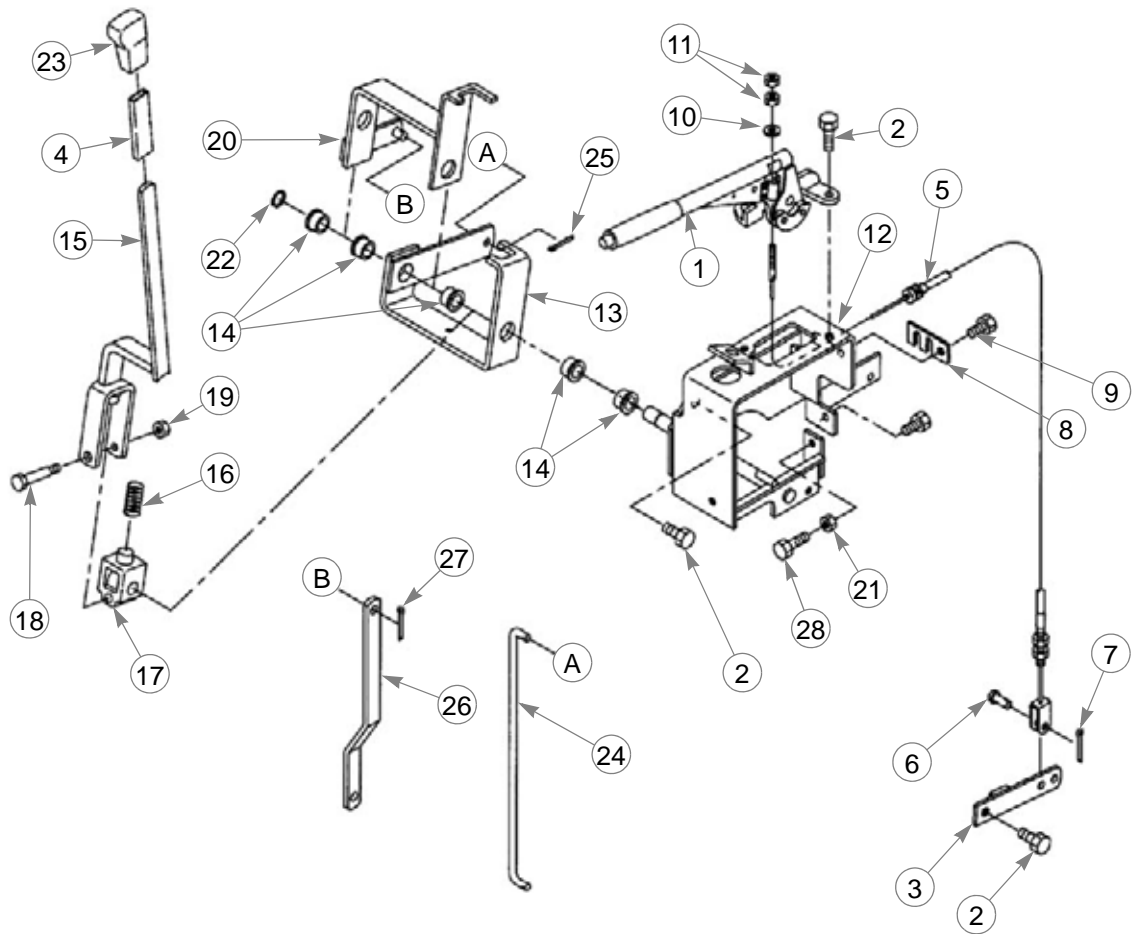


---

## **Throttle and PTO Levers**

<b>INDEX NO.</b>	<b>SERVICE PART NO.</b>	<b>QTY.</b>	<b>DESCRIPTION</b>
1	398180921	1	THROTTLE HANDLE GRIP
2	015140512	1	SCREW
3	020100008	2	M8, CL 8 NUT
4	398212210	1	THROTTLE LEVER SPRING
5	021500008	2	NUT
6	312500502	1	THROTTLE LEVER BRACKET
7	312100931	1	THROTTLE CABLE LEVER
8	312070670	1	THROTTLE CONTROL CABLE
9	398114451	1	RUBBER BUSHING,
10	036800004	2	SNAP RING
11	026100006	1	M6 X 12 X 1.6 WASHER
12	030102025	2	SPLIT (COTTER) PIN
13	324108031	1	PTO CLUTCH LEVER
14	398182120	1	PTO HANDLE GRIP
15	324541301	1	PTO CLUTCH LINKAGE
16	324501270	1	PTO CLUTCH GUIDE
17	324501280	1	PTO PIVOT MANT.
18	010311070	2	M10 X 70, 8.8 HEX BOLT
19	399113650	1	CLAMP
20	020310010	2	NUT
21	320201131	1	PTO LINKAGE SHAFT
22	398511320	2	BUSHING
23	398214590	1	SPRING
24	498221100	2	SPRING
25	399410140	1	ADJUSTER BOLT
26	358560180	1	YOKE END
27	358560190	1	YOKE END
28	026100008	1	M8 X 16 X 1.6 WASHER
29	021500010	1	NUT
30	021000012	1	M12 X 1.5 CL 8 NUT
31	031311030	2	PIN
32	030103225	4	SPLIT (COTTER) PIN
33	036800012	1	SNAP RING
34	324121000	1	PTO CLUTCH STOP
35	399431070	1	BOLT
36	030303532	1	PIN
37	312700650	1	PTO CLUTCH CABLE
38	030300632	1	PIN
39	399568730	1	SLOTTED POT LINKAGE
40	031310820	2	PIN
41	022300010	1	NUT
42	399211890	1	M10 X 21 X 2 WASHER
43	030102015	1	PIN, SPLIT (COTTER)
44	324106800	1	PTO PIVOT LEVER
45	068109052	1	HYD TUBE
46	015140616	1	SCREW

# Park Brake and Speed Range/4WD Levers



---

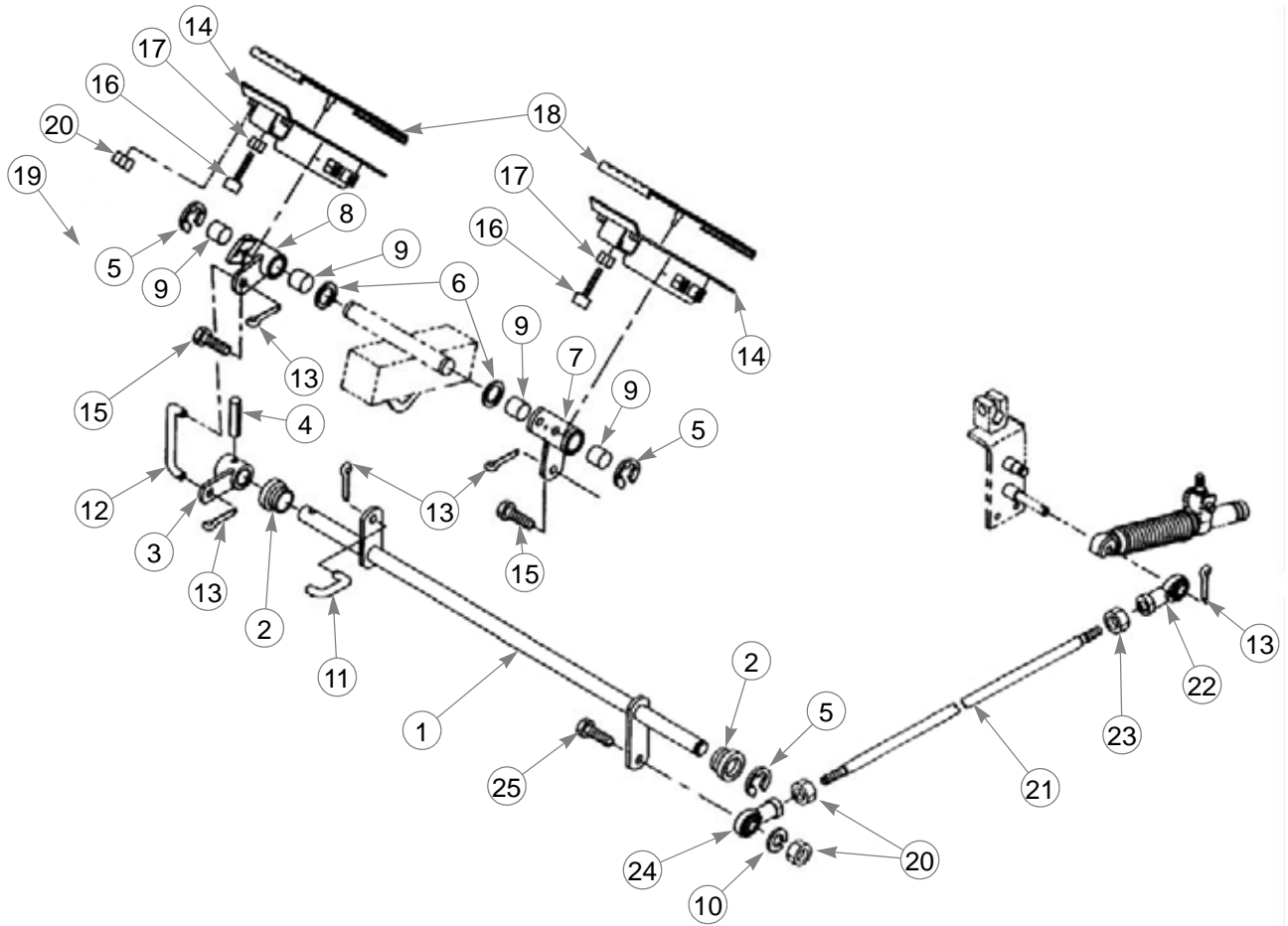
## **Park Brake and Speed Range/4WD Levers**

<b>INDEX NO.</b>	<b>SERVICE PART NO.</b>	<b>QTY.</b>	<b>DESCRIPTION</b>
1	328650191	1	PARK BRAKE HANDLE ASSEMBLY
2	011511020	7	M10 X 20 BOLT
3	328400560	2	PARK BRAKE LEVER
4	068109053	1	TUBE
5	312700662	2	PARK BRAKE CABLE
6	031310820	2	PIN
7	030102025	2	SPLIT (COTTER) PIN
8	312740230	1	BRAKE CABLE RETAINER
9	010800816	1	M8 X 16 BOLT
10	026100006	2	M6 X 12 X 1.6 WASHER
11	022400006	2	NUT
12	328320990	1	PARK BRAKE LEVER SUPPORT
13	324106670	1	LOWER RANGE LEVER PIVOT
14	398511320	5	2WD BUSHING
15	324106710	1	RANGE & FORWARD LEVER
16	398215500	1	SPRING
17	324121000	1	PTO CLUTCH STOP
18	399431070	1	BOLT
19	021500008	1	NUT
20	324106690	1	UPPER RANGE PIVOT LEVER
21	020900008	1	M8, CL 8 NUT
22	036800012	1	M15 EXTERNAL SNAP RING
23	398180890	1	RANGE LEVER HANDLE GRIP
24	324362080	1	FORWARD ROD
25	030102025	2	SPLIT (COTTER) PIN
26	324362090	1	RANGE GEAR ROD
27	030103225	2	SPLIT (COTTER) PIN
28	010310825	1	M8 X 25, 8.8 HEX BOLT

---

### **NOTES:**

# **Hydrostatic Transmission Pedals**



---

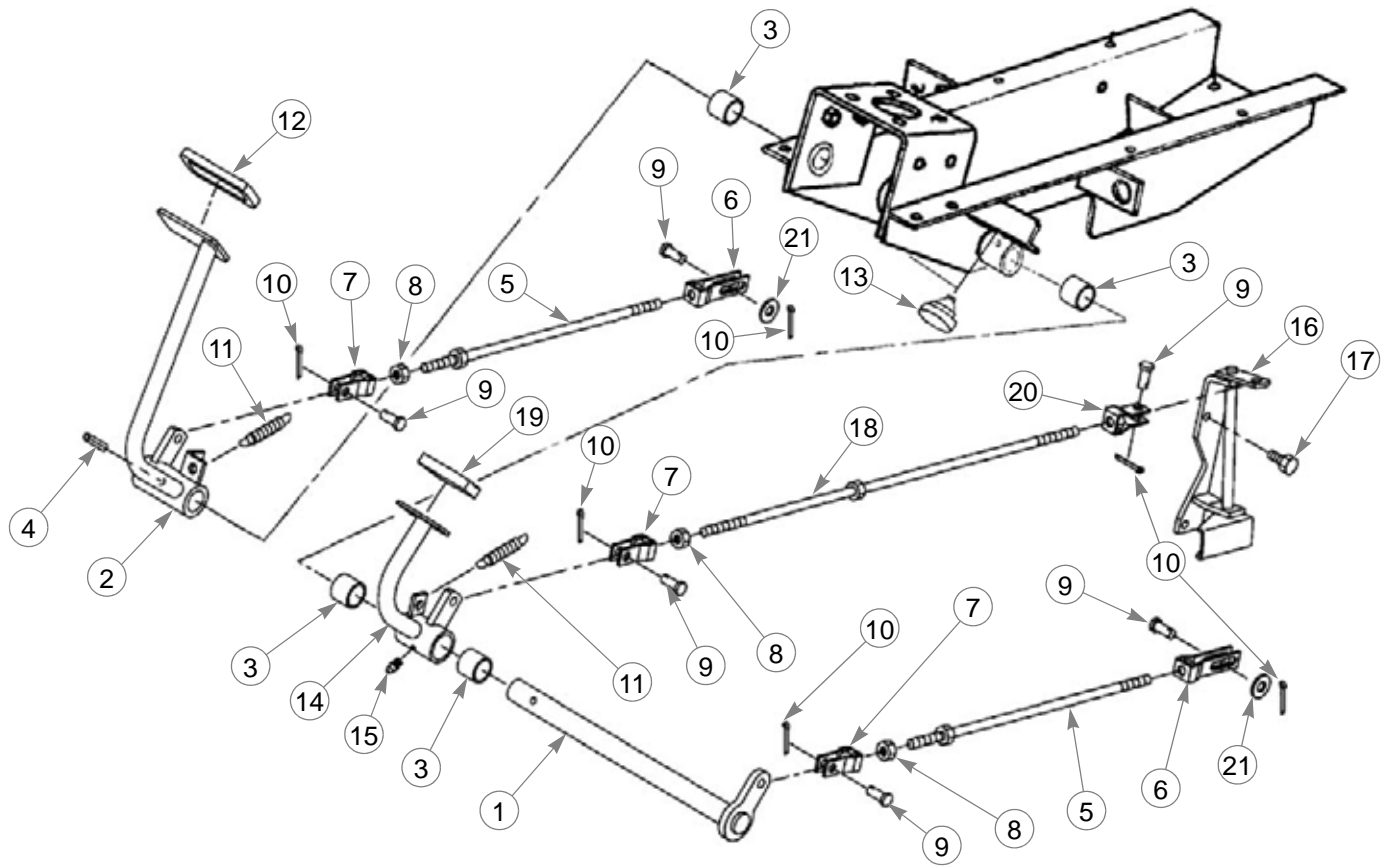
## **Hydrostatic Transmission Pedals**

<b>INDEX NO.</b>	<b>SERVICE PART NO.</b>	<b>QTY.</b>	<b>DESCRIPTION</b>
1	358200930	1	PEDAL PIVOT ROD
2	398511320	2	BUSHING
3	324106790	1	PEDAL PIVOT CRANK
4	030300625	1	PIN
5	036800012	3	SNAP RING
6	026100014	2	WASHER
7	324106770	1	OUTBOARD PEDAL PIVOT
8	324106780	1	INBOARD PEDAL PIVOT
9	398511310	4	DRIVE BUSHING
10	027100008	1	M8 LOCK WASHER
11	358511250	1	FORWARD LINKAGE ROD
12	358511230	1	REVERSE LINKAGE ROD
13	030102020	5	SPLIT (COTTER) PIN
14	358104780	2	PEDAL
15	010800816	4	M8 X 16 BOLT
16	398111640	2	PEDAL STOP
17	020900008	2	M8, CL 8 NUT
18	398117180	2	DIRECTIONAL PEDAL PAD
19	358511260	1	PEDAL ROD
20	020900008	3	M8, CL 8 NUT
21	358511220	1	LINKAGE ROD
22	334800420	1	LH THREAD ROD END
23	020109125	1	LH THREAD NUT
24	334800360	1	ROD END
25	010310830	1	M8 X 30, 8.8 HEX BOLT

---

### **NOTES:**

# **Brake Pedals**





---

## **Brake Pedals**

INDEX NO.	SERVICE PART NO.	QTY.	DESCRIPTION
1	358200940	1	BRAKE PIVOT SHAFT
2	358104750	1	BRAKE PEDAL
3	398510070	6	BUSHING
4	030300840	1	ROLL PIN
5	358500261	2	BRAKE ADJUSTER ROD
6	358550190	2	REAR BRAKE ROD YOKE
7	358550010	3	FRONT BRAKE ROD YOKE
8	020900010	3	M10, CL 8 NUT
9	031311020	6	PIN
10	030103225	6	SPLIT (COTTER) PIN
11	398210290	2	SPRING
12	398117790	1	BRAKE PEDAL PAD
13	398110110	2	RUBBER BUMPER
14	358104770	1	DIFFERENTIAL LOCK PEDAL
15	060610000	1	M6 X .075 LUBE NIPPLE
16	326550210	1	DIFFERENTIAL LOCK LEVER
17	010800816	2	M8 X 16 BOLT
18	358511120	1	DIFFERENTIAL LOCK ROD
19	398113000	1	DIFFERENTIAL LOCK PAD
20	358550020	1	REAR DIFFERENTIAL LOCK YOKE
21	026100010	2	M10 X 20 X 2 WASHER

---

### **NOTES:**

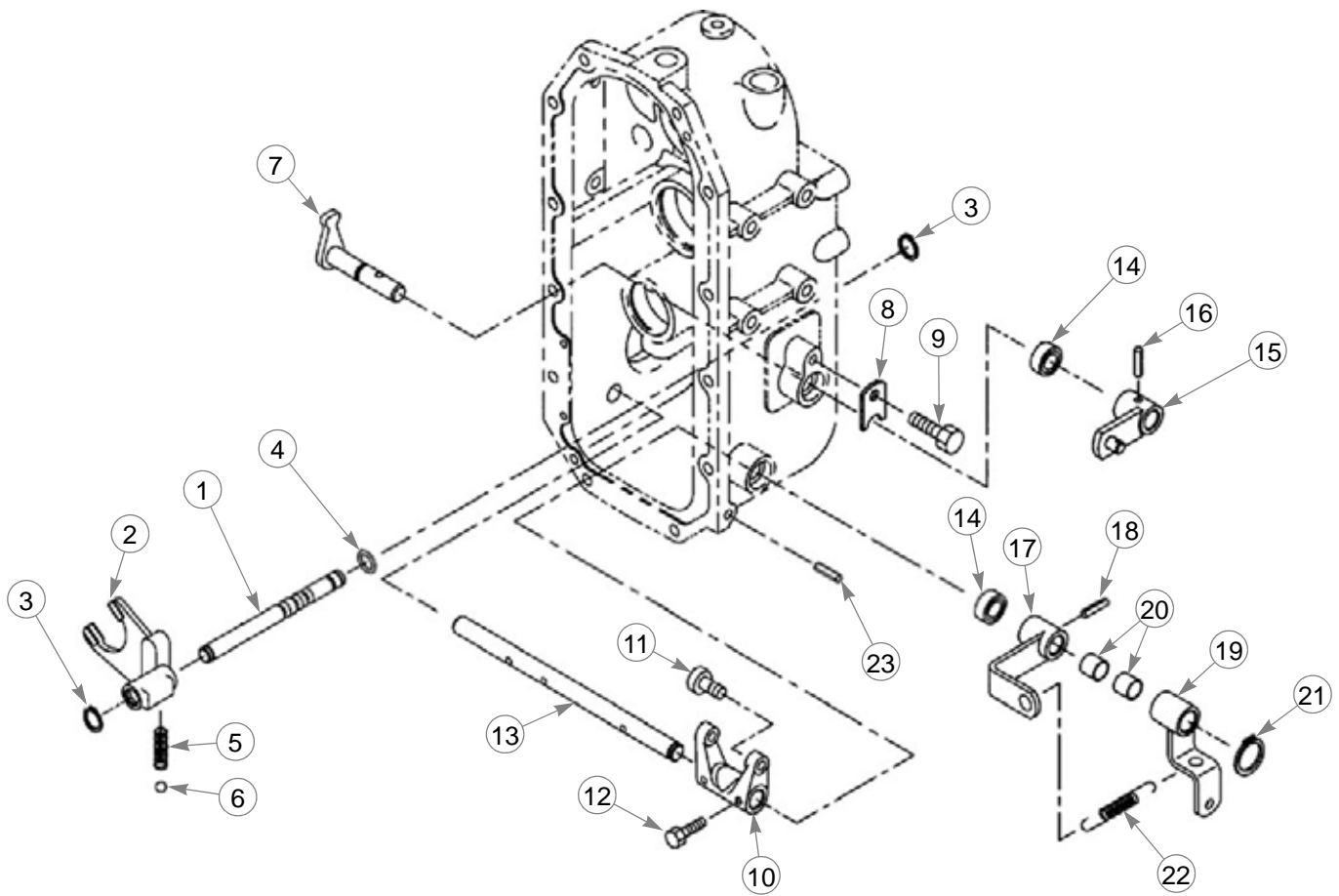
---

---

## Section 5

Transmission Levers & Actuators . . . . .	5-2
Transmission Front Gears & Bearings. . . . .	5-4
Transmission Rear Gears & Bearings . . . . .	5-6
Clutch Assembly . . . . .	5-8
Front Axle Differential . . . . .	5-10
Parking Brake Cable Retention . . . . .	5-12
Brake Assembly. . . . .	5-13
Rear Axle. . . . .	5-14
Rear Axle and Drop Box (FWD) . . . . .	5-16
Steering Cylinder . . . . .	5-20

# Transmission Levers & Actuators



---

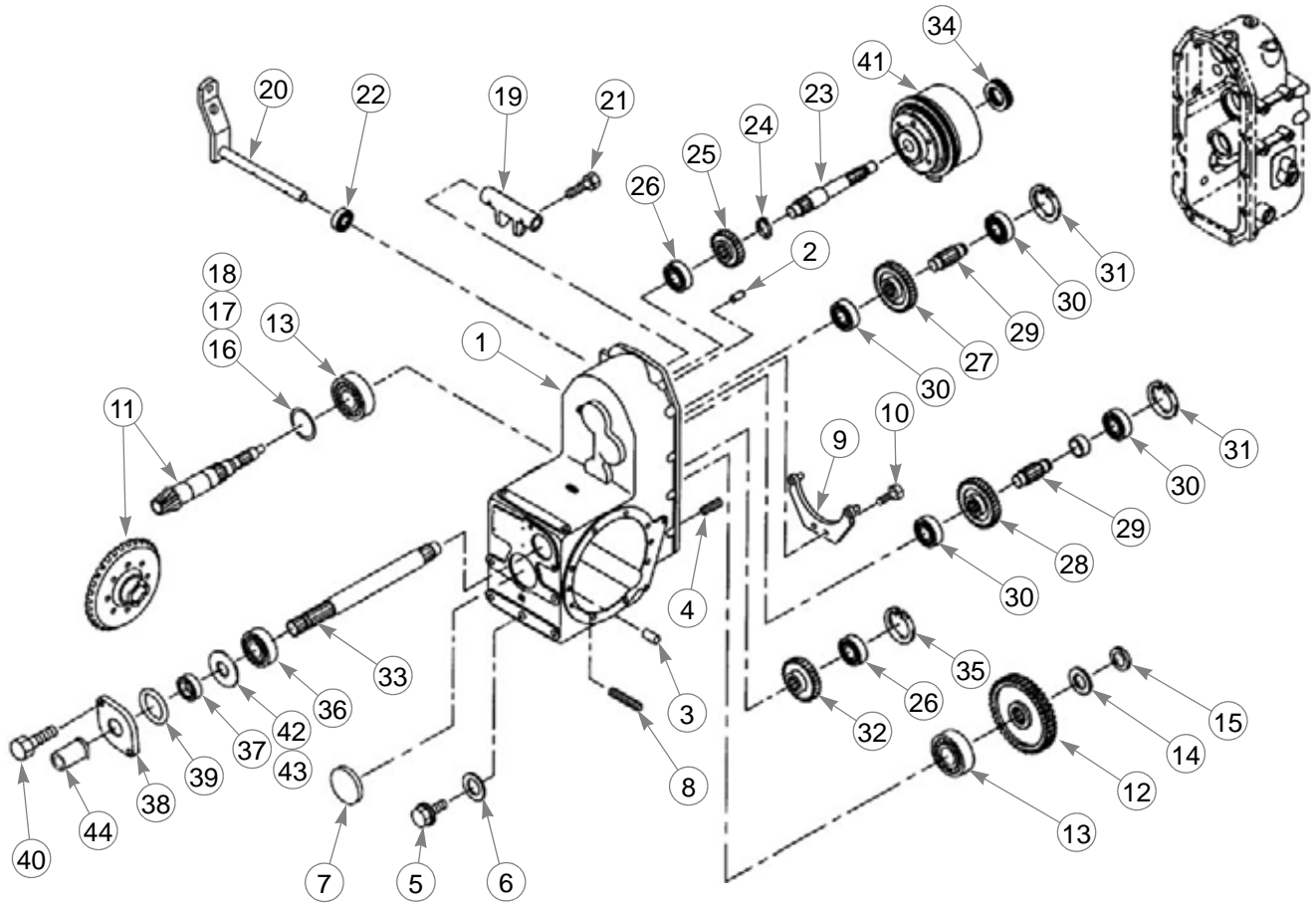
## **Transmission Levers & Actuators**

<b>INDEX NO.</b>	<b>SERVICE PART NO.</b>	<b>QTY.</b>	<b>DESCRIPTION</b>
1	324312960	1	SHIFT ROD
2	324412390	1	FORK SHIFT
3	036800010	2	SNAP RING
4	052100100	1	O-RING
5	398210280	1	SPRING
6	048100010	1	BALL
7	324202700	1	ARM
8	399564790	1	PLATE
9	011510812	1	M8 X 12 BOLT
10	324412290	1	2-WAY CLUTCH SHIFT FORK
11	399612150	2	PIN
12	010700625	2	M6 X 25 BOLT
13	320210370	1	SHAFT
14	050203115	2	SEAL
15	324106720	1	SHIFT LEVER
16	030300632	1	PIN
17	324106610	1	SHIFT LEVER
18	030300628	1	PIN
19	324106620	1	LEVER
20	398511310	1	DRIVE BUSHING
21	036100015	1	M15 EXT SNAP RING
22	398214450	1	SPRING
23	030300850	1	M8 X 50 SLOTTED LOCK PIN

---

### **NOTES:**

# Transmission Front Gears & Bearings



---

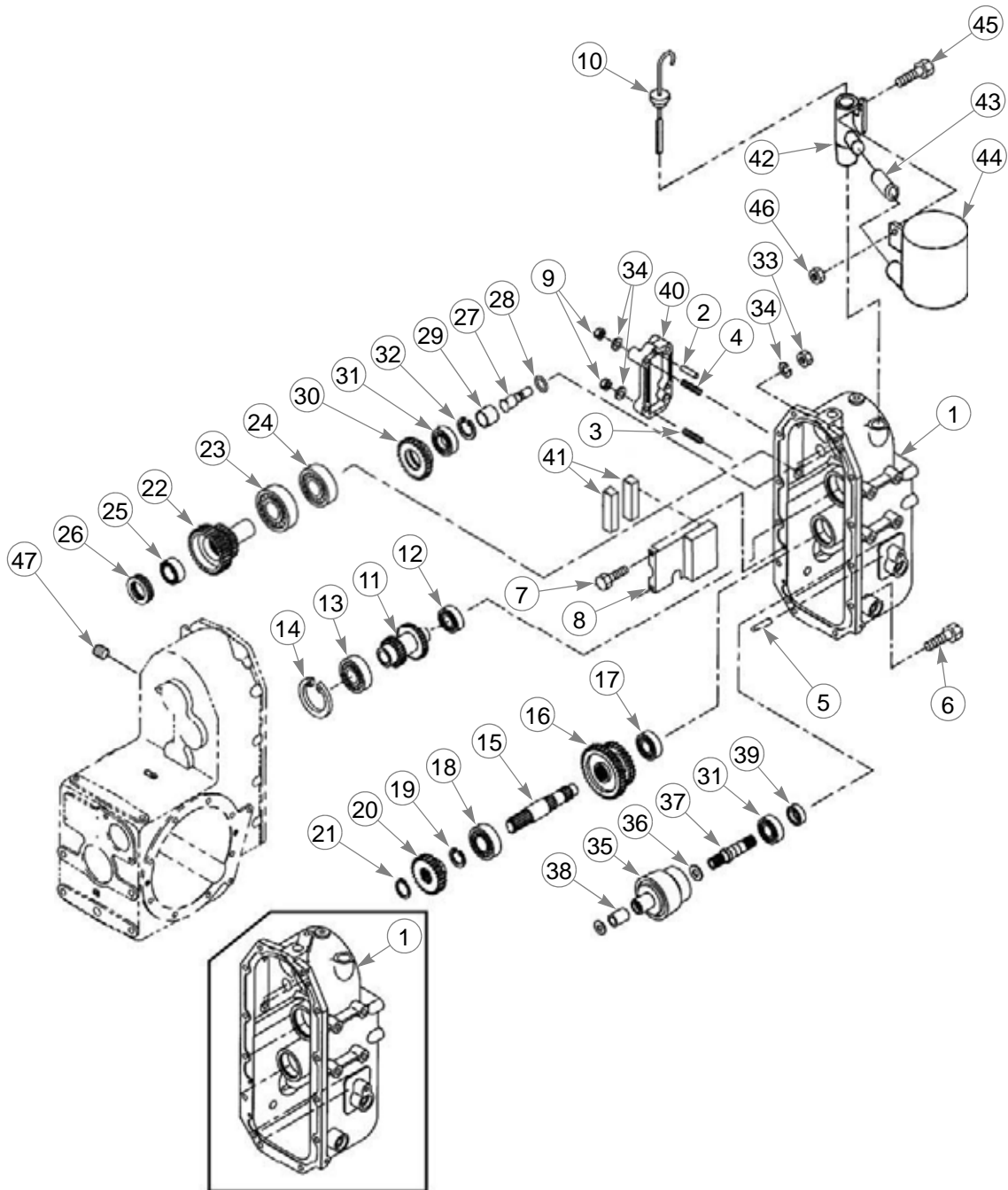
## **Transmission Front Gears & Bearings**

INDEX NO.	SERVICE PART NO.	QTY.	DESCRIPTION
1	322119060	1	TRANSMISSION CASE
2	030500820	2	PIN
3	030501032	4	PIN
4	012111025	2	BOLT
5	064600016	1	PLUG
6	025100016	1	WASHER
7	322140270	1	COVER
8	012111040	2	M10 X 40 STUD SCREW
9	320120500	1	PLATE
10	011511025	2	M10 X 25 BOLT
11	322051500	1	SHAFT GEAR/DRIVE PINION ASSEMBLY
12	322325750	1	GEAR
13	042532206	2	BEARING ASSEMBLY
14	026100024	1	M24 X 34 X 4 WASHER
15	020109079	1	NUT
16	199280630	1	0.1T SHIM
17	199280640	1	0.2T SHIM
18	199280650	1	0.5T SHIM
19	320260200	1	2-WAY CLUTCH FORK
20	320201200	1	2-WAY CLUTCH SHAFT
21	010700625	2	M6 X 25 BOLT
22	050203115	1	SEAL
23	322514580	1	2-WAY CLUTCH DRIVE SHAFT
24	036100025	1	M25 EXT SNAP RING
25	322325760	1	GEAR
26	040106304	2	BALL BEARING
27	322327130	1	FIXING GEAR A
28	322327150	1	FIXING GEAR A
29	322531621	2	COUNTER SHAFT
30	040106204	4	BALL BEARING
31	036500047	1	M47 SNAP RING
32	322327140	1	FIXING GEAR A
33	322590820	1	PTO SHAFT
34	398566470	1	BEARING ASSEMBLY
35	036500052	1	2.062" SNAP RING
36	040106205	1	BALL BEARING
37	050201325	1	SEAL
38	322141990	1	PTO SHAFT COVER
39	052300600	1	O-RING
40	011510820	2	M8 X 1.25 X 20 BOLT
41	320040924	1	PTO CLUTCH ASSEMBLY
42	199280580	AR	0.2T SHIM
43	199280590	AR	0.5T SHIM
44	398115500	1	PTO CAP COVER

---

### **NOTES:**

# Transmission Rear Gears & Bearings



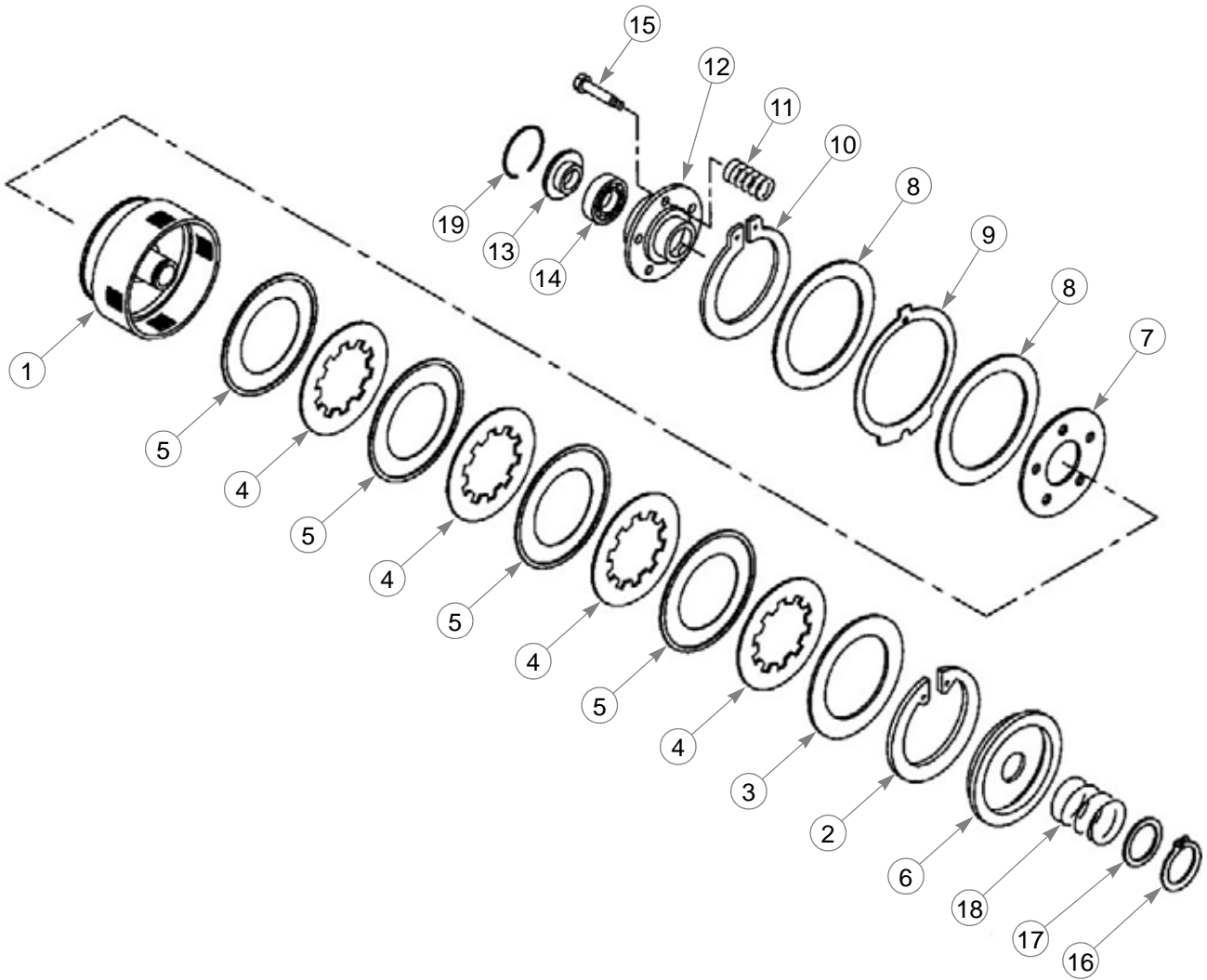


---

## **Transmission Rear Gears & Bearings**

INDEX NO.	SERVICE PART NO.	QTY.	DESCRIPTION
1	322119080	1	REAR TRANSMISSION CASE/COVER
2	030500820	2	PIN
3	012111035	2	STUD
4	012111050	2	STUD
5	030501025	1	PIN
6	011511030	10	M10 X 30 BOLT
7	011140610	2	M6 X 10 BOLT
8	399568660	1	SUPPORT PLATE
9	021000010	4	M10 NUT
10	398400550	1	TRANSMISSION DIPSTICK
11	322521520	1	MAIN SHAFT
12	040106006	1	BALL BEARING
13	040106207	1	BEARING ASSEMBLY
14	036500072	1	M72 INTSNAP RING
15	322531610	1	SHAFT
16	322361500	1	SLIDE GEAR B
17	040106204	1	BALL BEARING
18	040109054	1	BALL BEARING
19	036500052	1	2.062" SNAP RING
20	322325740	1	GEAR
21	036500052	1	M25 EXT SNAP RING
22	320720290	1	COUPLING
23	040106207	1	BALL BEARING
24	040106206	1	BALL BEARING
25	398566480	1	BEARING ASSEMBLY
26	398566470	1	BEARING ASSEMBLY
27	322531630	1	SHAFT
28	052100110	1	O-RING
29	399235520	1	COLLAR
30	322371980	1	GEAR
31	040106004	2	BEARING ASSEMBLY
32	036500042	1	M42 SNAP RING
33	020900014	2	M14 NUT
34	027100010	6	M10 LOCK WASHER
35	320080101	1	CLUTCH
36	399261500	1	THRUST WASHER
37	322513460	1	DRIVEN SHAFT
38	398511930	1	BUSHING
39	050202220	1	SEAL
40	322213450	1	COVER
41	324910090	2	MAGNET
42	340615881	1	ADAPTER
43	340692490	1	HOSE
44	360102060	1	OVERFLOW TANK
45	010800616	1	M6 X 16 BOLT
46	021300006	1	M6 X 1 NUT
47	064400030	1	PLUG

# Clutch Assembly



---

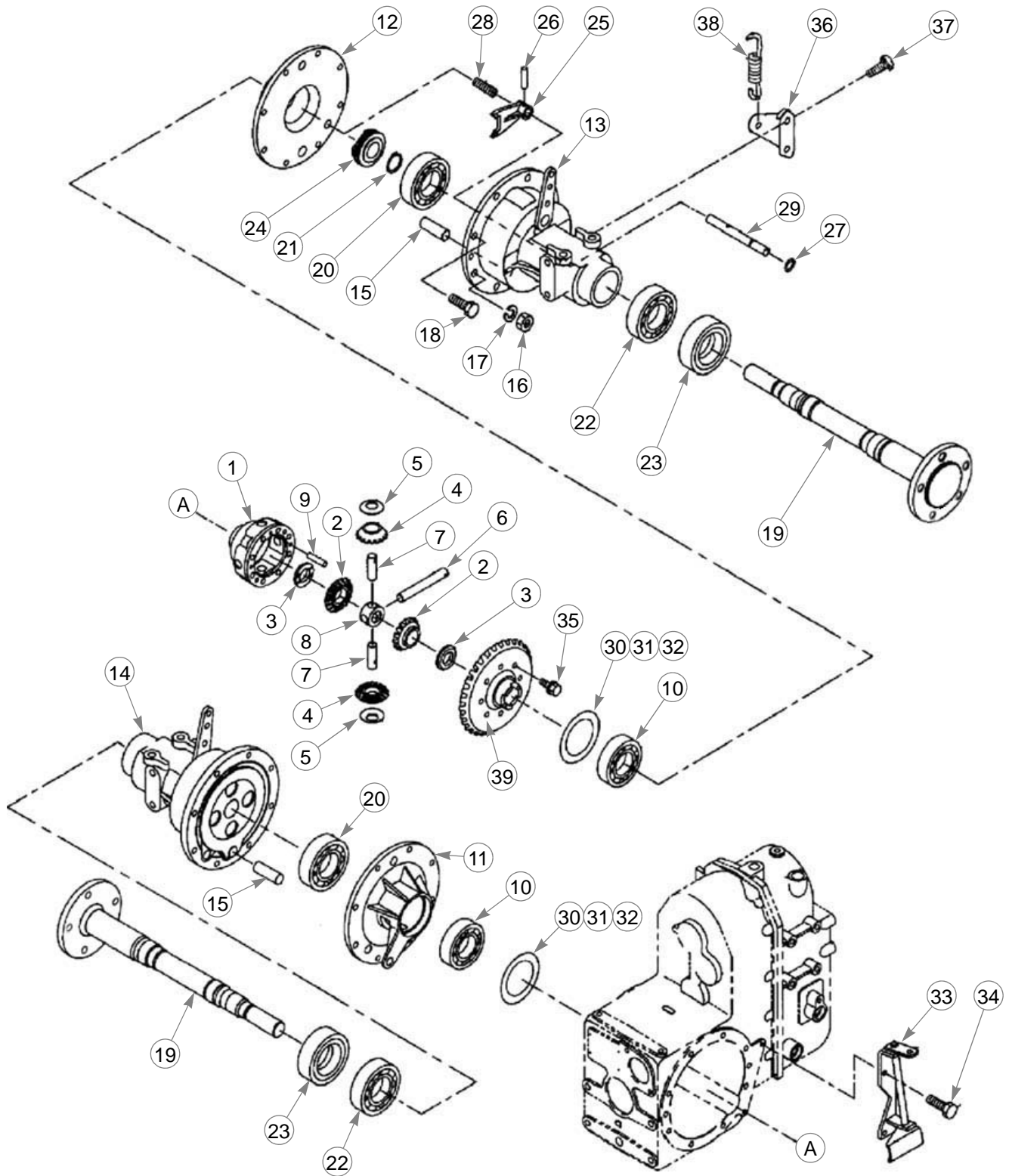
# **Clutch Assembly**

<b>INDEX NO.</b>	<b>SERVICE PART NO.</b>	<b>QTY.</b>	<b>DESCRIPTION</b>
1	320040924	1	PTO CLUTCH ASSEMBLY
2	NFS	1	SNAP RING, NOT SERVICED SEPARATELY
3	320690106	1	BACK PLATE
4	320690130	4	DISC PLATE
5	320690108	4	SEPERATOR PLATE
6	NFS	1	METAL PRESSURE PLATE, NOT SERVICED SEPARATELY
7	NFS	1	BACK PLATE, NOT SERVICED SEPARATELY
8	320690154	1	CLUTCH DISC
9	320690149	1	DISC
10	320690153	1	BACK PLATE
11	NFS	1	CLUTCH SPRI NG, NOT SERVICED SEPARATELY
12	NFS	1	CLUTCH LIFTER, NOT SERVICED SEPARATELY
13	NFS	1	SPRING HOLDER, NOT SERVICED SEPARATELY
14	398560730	1	THRUST BEARING ASSEMBLY
15	NFS	1	BOLT, NOT SERVICED SEPARATELY
16	036100030	1	M30 EXT SNAP RING
17	320690111	1	SPRING
18	320690112	1	SPRING
19	NFS	1	SNAP RING, NOT SERVICED SEPARATELY

---

## **NOTES:**

# Front Axle Differential



---

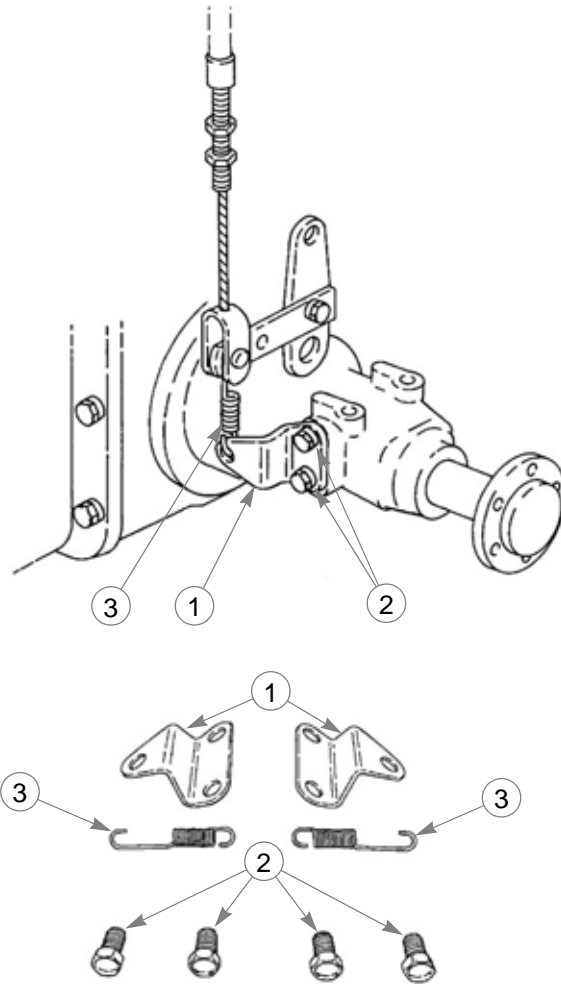
## **Front Axle Differential**

INDEX NO.	SERVICE PART NO.	QTY.	DESCRIPTION
1	326110593	1	PINION HOUSING
2	326140030	2	GEAR
3	399261260	2	THRUST WASHER
4	326160030	2	DRIVE PINION
5	399260130	2	THRUST WASHER
6	326130472	1	SHAFT
7	326130343	2	SHAFT
8	326170060	1	UNIVERSAL JOINT
9	030500625	3	COTTER PIN
10	040106010	2	BALL BEARING
11	326220420	1	LEFT BEARING SUPPORT
12	326220430	1	RIGHT BEARING SUPPORT
13	NSS	1	NOT SERVICED SEPARATELY
14	NSS	1	NOT SERVICED SEPARATELY
15	328260170	2	PIN
16	021010010	4	M10 X 1.25 NUT
17	027100010	4	M10 LOCK WASHER
18	011511040	12	M10 X 40 BOLT
19	326302050	2	SAE WHEEL SHAFT
20	040106208	2	BALL BEARING
21	036100040	2	M40 EXT SNAP RING
22	040106008	2	BEARING ASSEMBLY
23	050609047	2	OIL SEAL
24	326610181	1	CLUTCH
25	326570400	1	FORK
26	030300628	1	PIN
27	052100110	1	O-RING
28	498211470	1	SPRING
29	326530330	1	SHAFT
30	199280770	1	SHIM .5MM OR 0.020"
31	199280760	1	SHIM .2MM OR 0.008"
32	199280750	1	SHIM
33	326550210	1	DIFF LOCK LEVER
34	010800816	2	M8 X 16 BOLT
35	010111030	8	M10 X 30 8.8 FULL THD HEX BOLT
36	328360440	2	RETURN SPRING BRACKET
37	011511220	4	M12 X 20 BOLT
38	398214590	2	SPRING
39	399310330	4	LOCK WASHER

---

### **NOTES:**

# Parking Brake Cable Retention



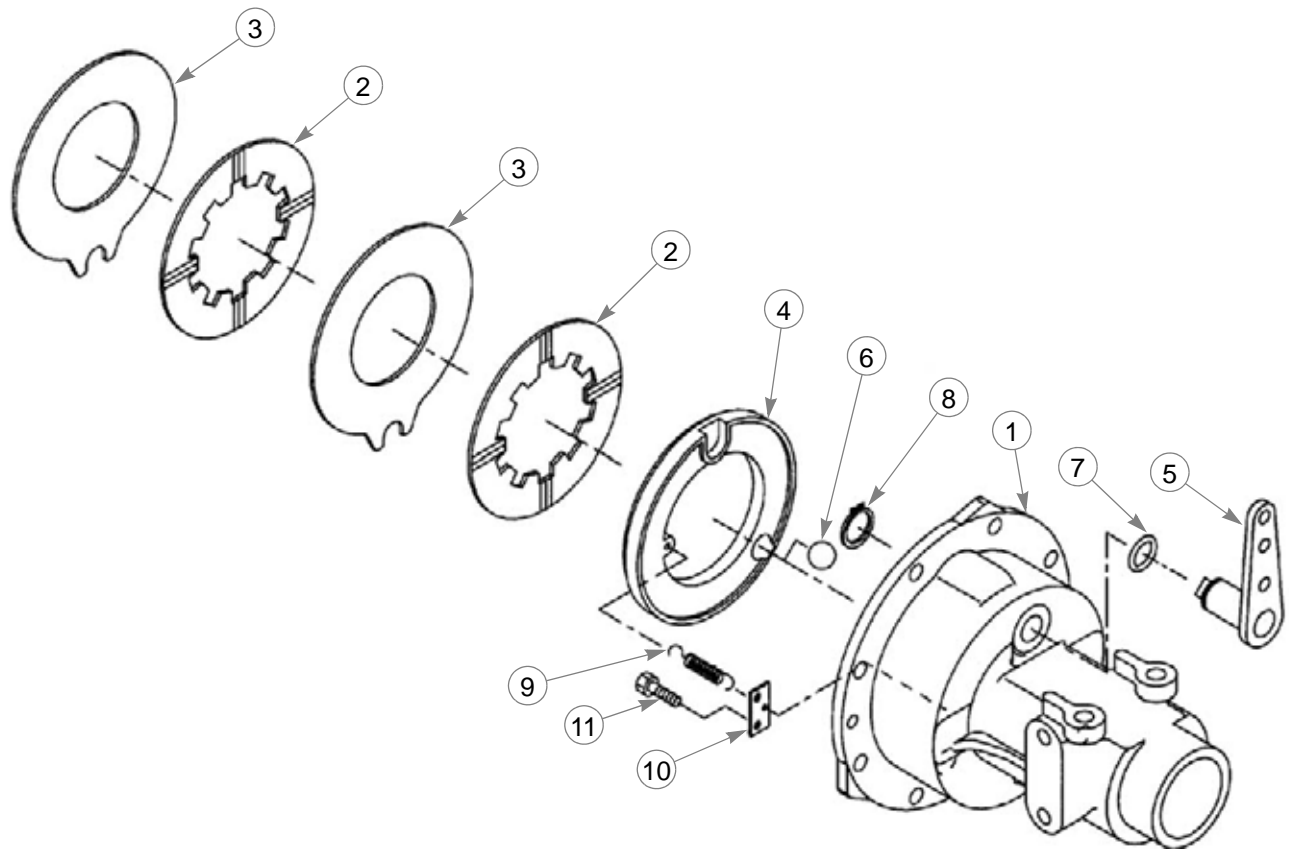
---

INDEX NO.	SERVICE PART NO.	QTY.	DESCRIPTION
1	328360440	2	RETURN SPRING BRACKET
2	011511220	4	M12 X 20 BOLT
3	398214590	2	SPRING

---

## NOTES:

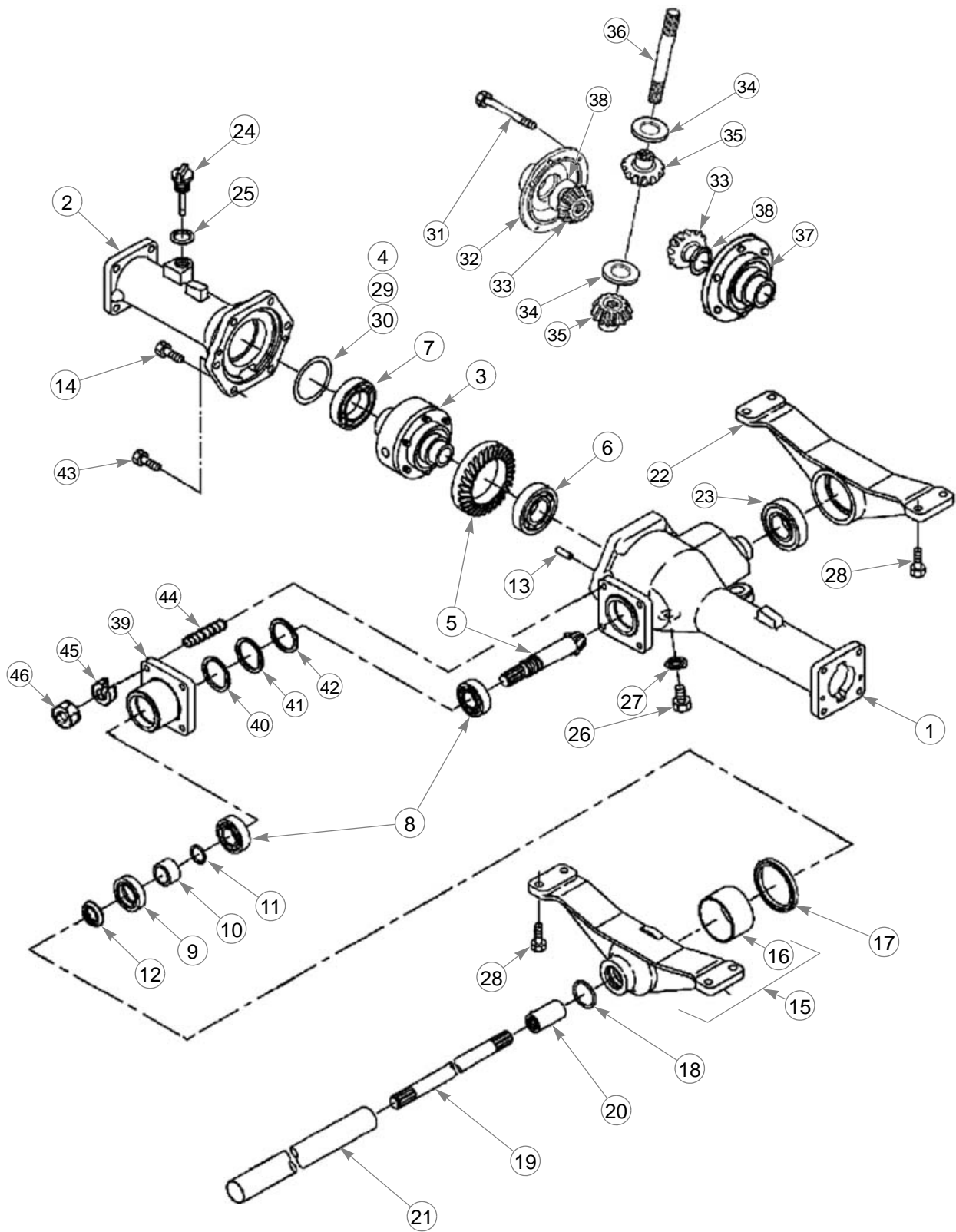
# Brake Assembly



INDEX NO.	SERVICE PART NO.	QTY.	DESCRIPTION
1	326344970	1	WHEEL SHAFT CASE
2	328110220	2	BRAKE DISC
3	328560190	2	BRAKE STATIONARY DISC
4	328560410	1	RIGHT BRAKE DISC
	328560400	1	LEFT BRAKE DISC
5	328300580	1	RIGHT DISC CAM LEVER
	328300570	1	LEFT DISC CAM LEVER
6	048109004	4	BALL
7	052100210	1	O-RING
8	036100025	1	M25 EXT SNAP RING
9	398213340	2	SPRING
10	328490045	2	PLATE
11	011140612	4	M6 X 12 BOLT

## NOTES:

# Rear Axle



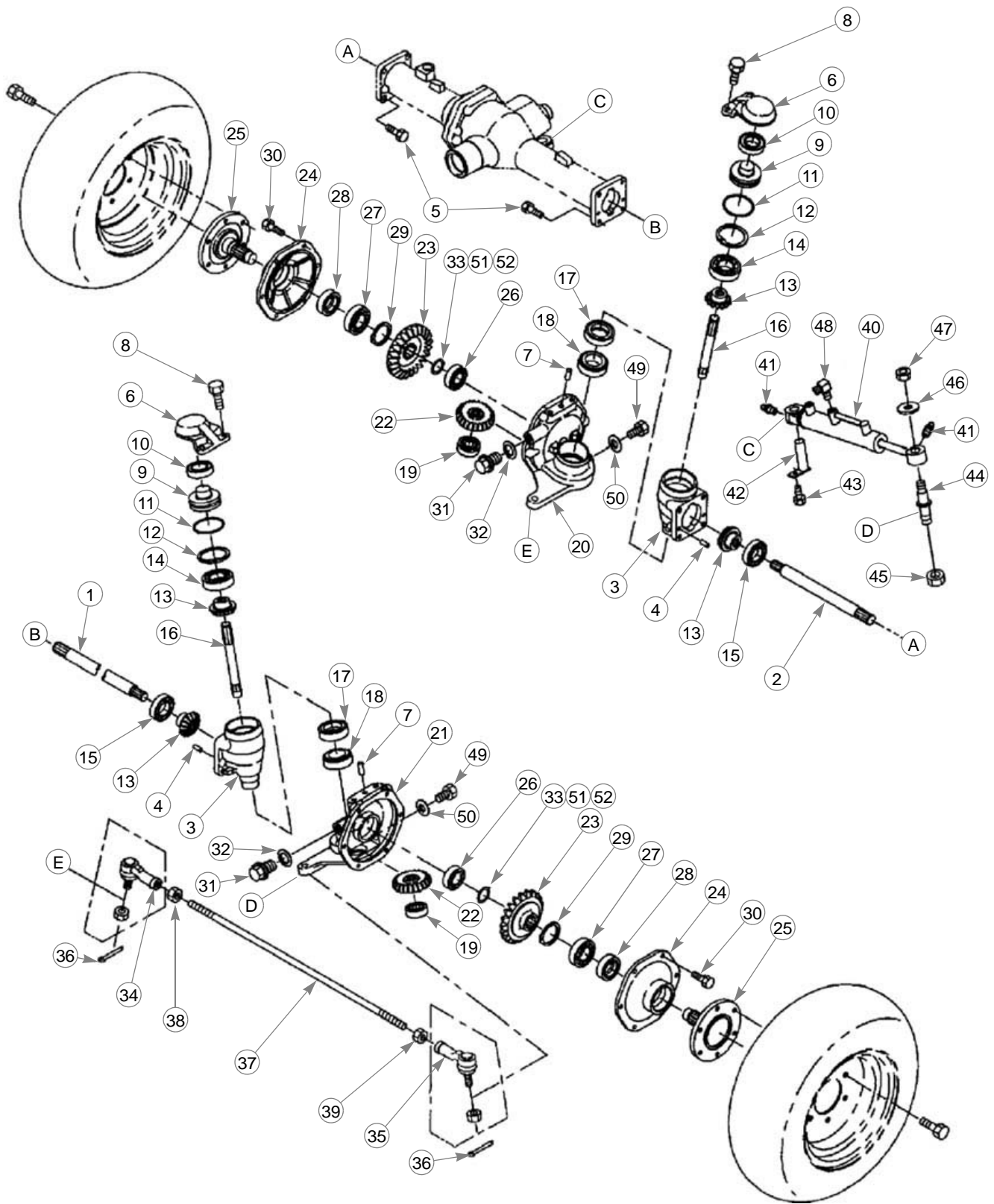


---

## Rear Axle

INDEX NO.	SERVICE PART NO.	QTY.	DESCRIPTION
1	326345230	1	CASE
2	326345250	1	CASE
3	326010410	1	DIFFERENTIAL, (INCLUDES ITEMS 34-41)
4	199280720	1	SHIM
5	322051270	1	PINION DRIVE ASSEMBLY
6	040106207	1	BEARING ASSEMBLY
7	040106009	1	BALL BEARING
8	042530205	2	BEARING ASSEMBLY
9	050202332	1	SEAL
10	399232470	1	COLLAR
11	052100210	1	O-RING
12	399370740	1	NUT
13	030500820	2	PIN
14	011511030	6	M10 X 30 BOLT
15	322017760	1	BEARING HOUSING (INCLUDES ITEM 16)
16	398510350	1	RING
17	050301165	1	SEAL
18	052100210	1	O-RING
19	322513660	1	DRIVE SHAFT
20	322610140	2	COUPLING
21	320171630	1	RIGID TUBE
22	322262850	1	HOLDER
23	040116207	1	BEARING ASSEMBLY
24	398400430	1	DIPSTICK
25	025100020	1	WASHER
26	010411212	3	M12 X 12 BOLT
27	025100012	3	WASHER
28	011511030	8	M10 X 30 BOLT
29	199280740	1	SHIM, 0.5
30	199280730	1	SHIM, 0.2
31	010700855	6	M8 X 55 BOLT
32	326110880	1	DIFFERENTIAL HOUSING
33	326140211	2	GEAR
34	399261070	2	THRUST WASHER
35	326160060	2	PINION, DRIVE GEAR
36	326130530	1	REAR DIFFERENTIAL PINION SHAFT
37	326111090	1	DIFFERENTIAL GAUGE COVER
38	399261080	2	THRUST WASHER
39	322263130	1	BEARING HOUSING
40	199280560	AR	SHIM, 0.1T
41	199280580	AR	SHIM 0.2T, PTO
42	199280590	AR	SHIM 0.5T, PTO
43	011511050	1	M10 X 50 BOLT
44	012111020	4	M10 X 20 BOLT
45	027100010	4	M10 LOCK WASHER
46	021010010	4	M10 NUT

# Rear Axle and Drop Box (FWD)



---

## **Rear Axle and Drop Box (FWD)**

INDEX NO.	SERVICE PART NO.	QTY.	DESCRIPTION
1	326211660	1	LEFT SHAFT (16.44" LONG)
2	326211670	1	RIGHT SHAFT (11.37" LONG)
3	322117431	2	REAR AXLE CASING
4	030500820	4	PIN
5	011511030	10	M10 X 30 BOLT
6	334525090	2	TOP CAP
7	030501025	2	PIN
8	011511025	4	M10 X 25 BOLT
9	330311370	2	PIN
10	040146006	2	BALL BEARING
11	052300650	2	O-RING
12	036500065	2	SNAP RING
13	326240600	4	GEAR
14	040109034	2	BEARING ASSEMBLY
15	040109065	2	BALL BEARING
16	322513491	2	162MM DRIVEN SHAFT
17	399030030	2	SEALS KIT
18	042532007	2	TAPER ROLLER BEARING ASSEMBLY
19	040106303	2	BALL BEARING
20	322117451	1	LEFT CASING
21	322117471	1	RIGHT CASING
22	326240690	2	FINAL PINION GEAR
23	326370840	2	FINAL GEAR
24	322213490	2	HOUSING HUB
25	326312401	2	T BOLT HUB
26	040106205	2	BALL BEARING
27	040106206	2	BEARING ASSEMBLY
28	399030010	2	SEAL
29	036100030	2	M30 EXT SNAP RING
30	011510820	12	M8 X 1.25 X 20 BOLT
31	064600016	2	PLUG
32	025100016	2	WASHER
33	199280560	2	SHIM, 0.1T
34	334801360	1	RIGHT TRACK ROD END ASSEMBLY
35	334801390	1	LEFT TRACK ROD END ASSEMBLY
36	030103225	2	SPLIT PIN (COTTER)
37	334712030	1	REAR STEERING ROD
38	020800014	1	NUT
39	020109029	1	NUT
40	344952381	1	STEERING CYLINDER
41	060620000	2	LUBE NIPPLE
42	399600110	1	PIN
43	010800816	1	M8 X 16, 8.8 HEX FLG BOLT
44	399612071	1	PIN
45	022509001	1	M20 X 1.5 NUT
46	399210710	1	WASHER
47	022409003	1	NUT
48	340670280	2	ADAPTER
49	010411212	3	M12 X 12 BOLT

---

INDEX NO.	SERVICE PART NO.	QTY.	DESCRIPTION
50	025100012	3	WASHER
51	199280590	1	SHIM 0.5T, PTO
52	199280580	1	SHIM 0.2T, PTO
53	344960440	1	(NOT SHOWN) SEAL KIT FOR 344952381

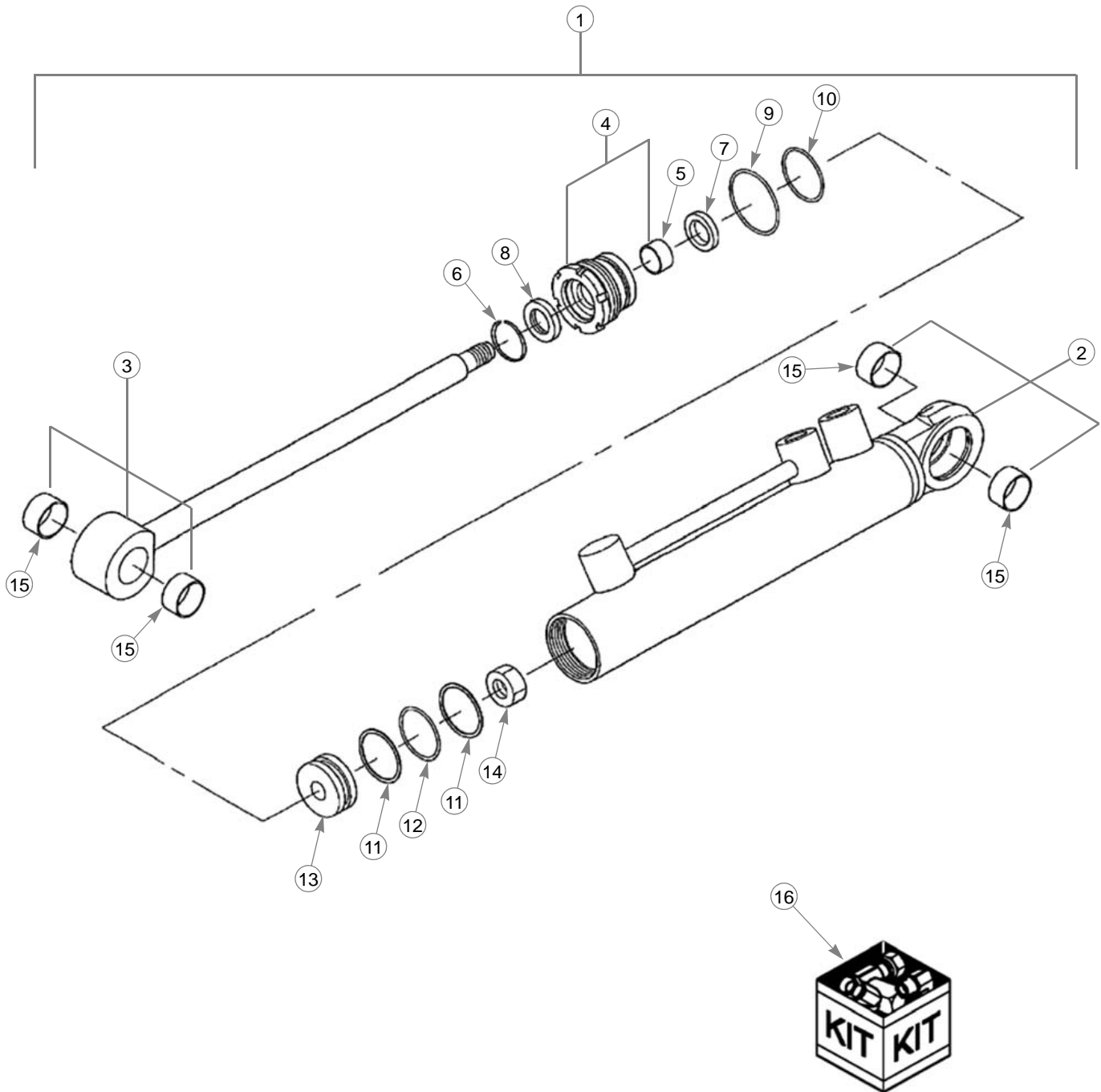
---

**NOTES:**

---

**This page intentionally left blank.**

# Steering Cylinder



---

## **Steering Cylinder**

<b>INDEX NO.</b>	<b>SERVICE PART NO.</b>	<b>QTY.</b>	<b>DESCRIPTION</b>
1	344952381	1	STEERING CYLINDER
2	NSS	1	CYLINDER TUBE, NOT SERVICED SEPARATELY
3	NSS	1	PISTON ROD KIT, NOT SERVICED SEPARATELY
4	344960452	1	HYDRAULIC CYLINDER GUIDE KIT
5	344960429	4	STEERING CYLINDER BUSHING
6	344960437	1	SNAP RING
7	NSS	1	ROD PACKING, NOT SERVICED SEPARATELY
8	NSS	1	DUST SEAL, NOT SERVICED SEPARATELY
9	052400380	1	O-RING
10	052310300	1	BACKUP RING
11	NSS	2	BACKUP RING, NOT SERVICED SEPARATELY
12	052110290	1	O-RING
13	NSS	1	PISTON, NOT SERVICED SEPARATELY
14	020910012	1	M12 NUT
15	344960432	4	STEERING CYLINDER BUSHING
16	344960440	1	SEAL KIT FOR 344952381

---

### **NOTES:**

1. Item 16 (Seal Kit for 344952381) contains items 7 through 12.

---

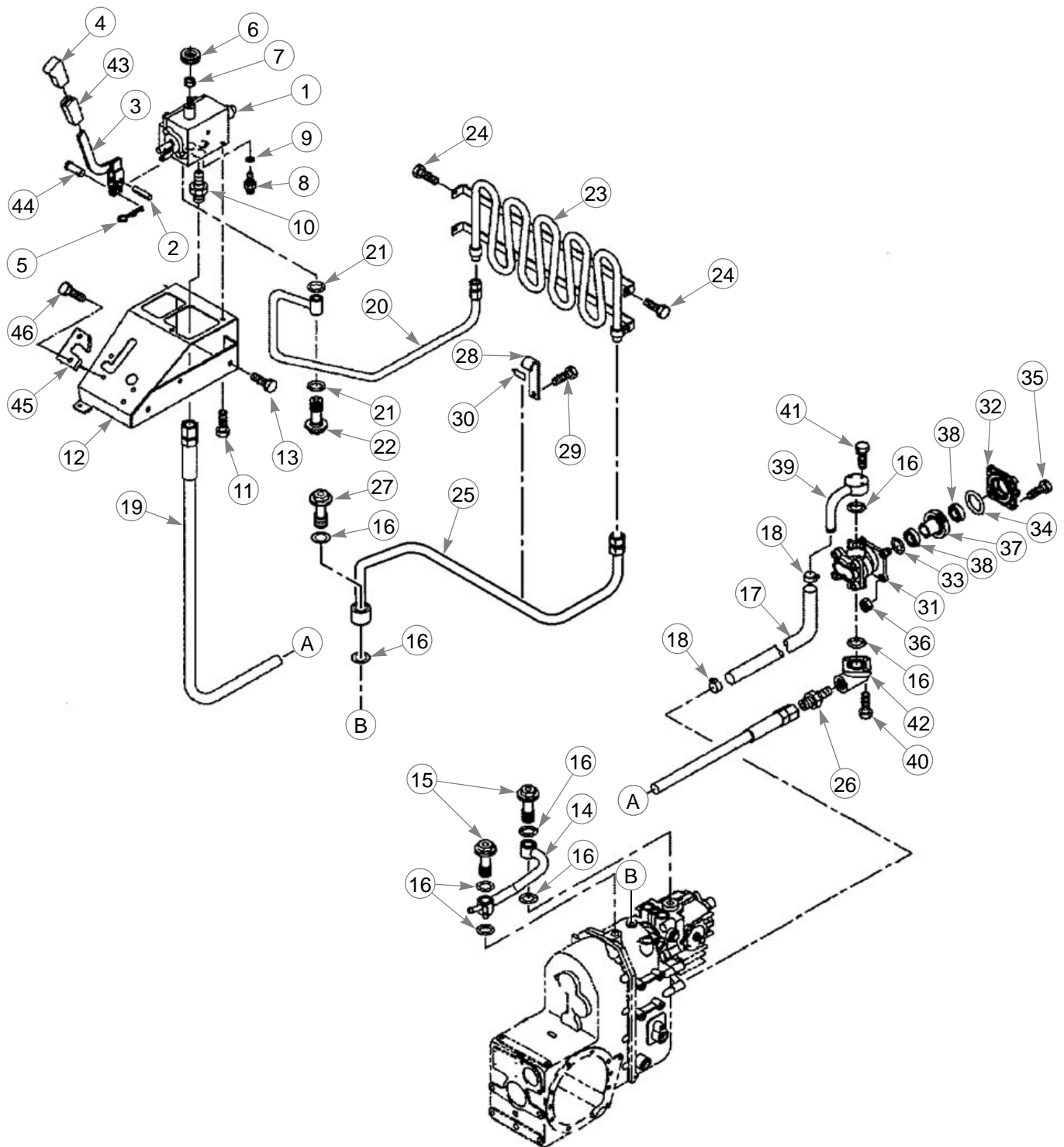


---

## Section 6

Control Valve and Hydraulic Pump . . . . .	6-2
Control Valve . . . . .	6-4
Hydraulics Filters . . . . .	6-6
Hydrostatic Drive Coupling . . . . .	6-8
HST Assembly . . . . .	6-10
Hydraulic Pump . . . . .	6-13
Steering Case Hydraulics . . . . .	6-14

# **Control Valve and Hydraulic Pump**

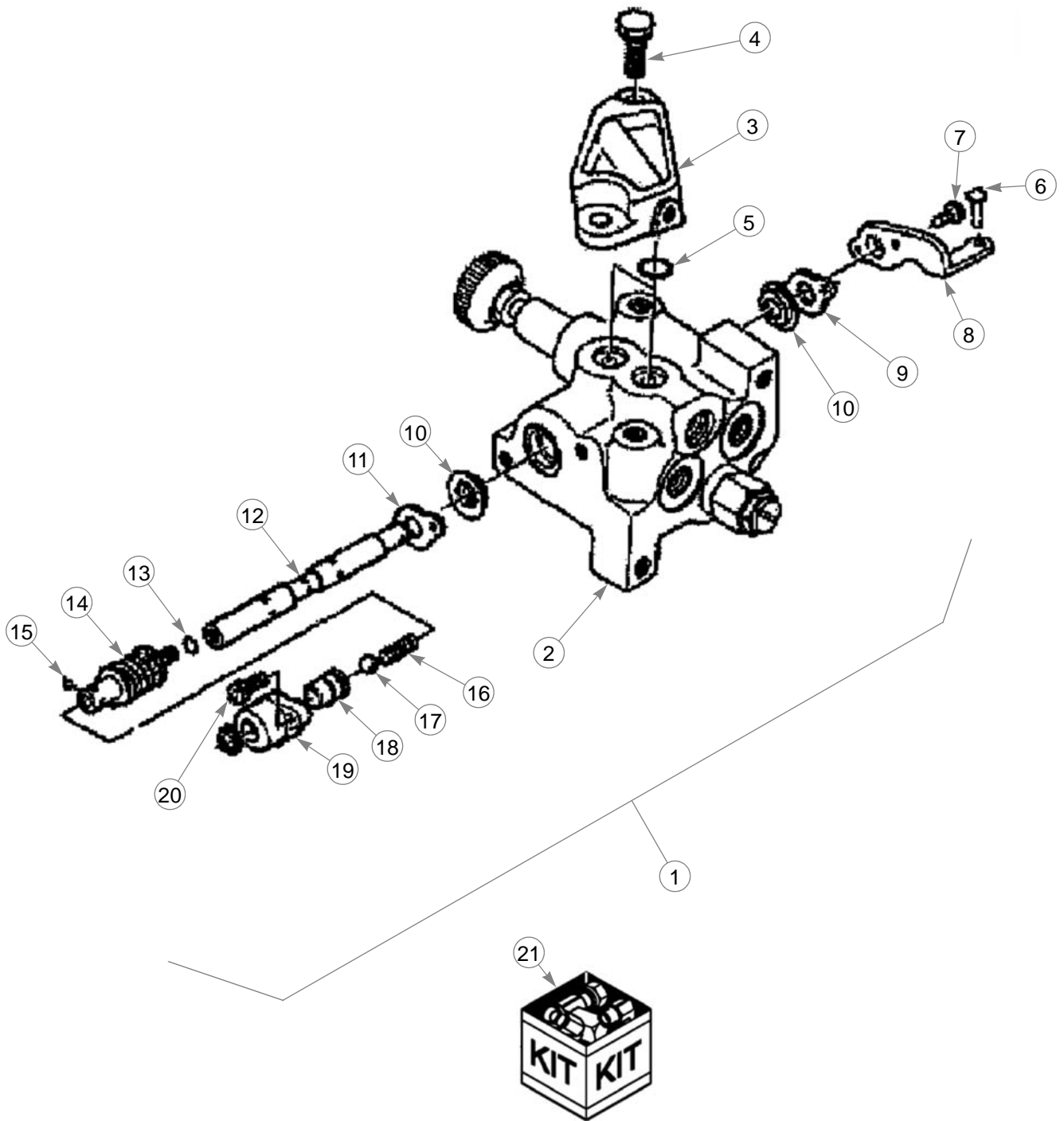


---

## **Control Valve and Hydraulic Pump**

<b>INDEX NO.</b>	<b>SERVICE PART NO.</b>	<b>QTY.</b>	<b>DESCRIPTION</b>
1	340016721	1	CONTROL VALVE
2	030300528	1	PIN
3	340106520	1	CONTROL VALVE LEVER
4	398180610	1	CONTROL VALVE HANDLE GRIP
5	031100004	1	PIN
6	398180332	1	HANDLE GRIP
7	020700010	2	M10 CL 8 NUT
8	340671730	1	1/4" ADAPTER
9	052100110	1	O-RING
10	340671810	1	ADAPTER, 3/8"
11	011510812	2	M8 X 12 BOLT
12	340750301	1	CONTROL VALVE COVER
13	011511020	2	M10 X 20 BOLT
14	340708040	1	HYDRAULIC PIPE
15	398481040	2	BOLT
16	052100200	8	O-RING
17	340692010	1	HOSE
18	398750420	2	HOSE CLAMP
19	340693571	1	OIL HOSE
20	340708050	1	PIPE, HYD
21	052100150	2	O-RING
22	398481300	1	BOLT
23	340708060	1	COOLER PIPE
24	010800816	4	M8 X 16, 8.8 HEX FLG BOLT
25	340550870	1	OIL PIPE
26	398480320	1	HYDRAULIC CONNECTOR
27	398480240	1	3/8" BANJO EYE BOLT
28	399113240	1	CLAMP
29	011511016	1	M10 X 16 BOLT
30	398113310	1	RUBBER PAD
31	340451030	1	AUX HYDRAULIC PUMP
32	322262800	1	AUX PUMP COVER
33	052300600	1	O-RING
34	052300700	1	O-RING
35	010310870	4	M8 X 70, 8.8 HEX BOLT
36	021500008	4	NUT
37	340460180	1	GEAR, AUX PUMP
38	040106004	2	BEARING ASSEMBLY
39	340707970	1	HYDRAULIC PIPE
40	010700620	3	M6 X 20 BOLT
41	010810630	3	M6 X 30 BOLT
42	340621880	1	AUX PUMP FLANGE
43	068109053	1	TUBE
44	340292120	1	PIN
45	399570110	1	PLATE
46	010800816	2	M8 X 16 BOLT

# Control Valve



---

# **Control Valve**

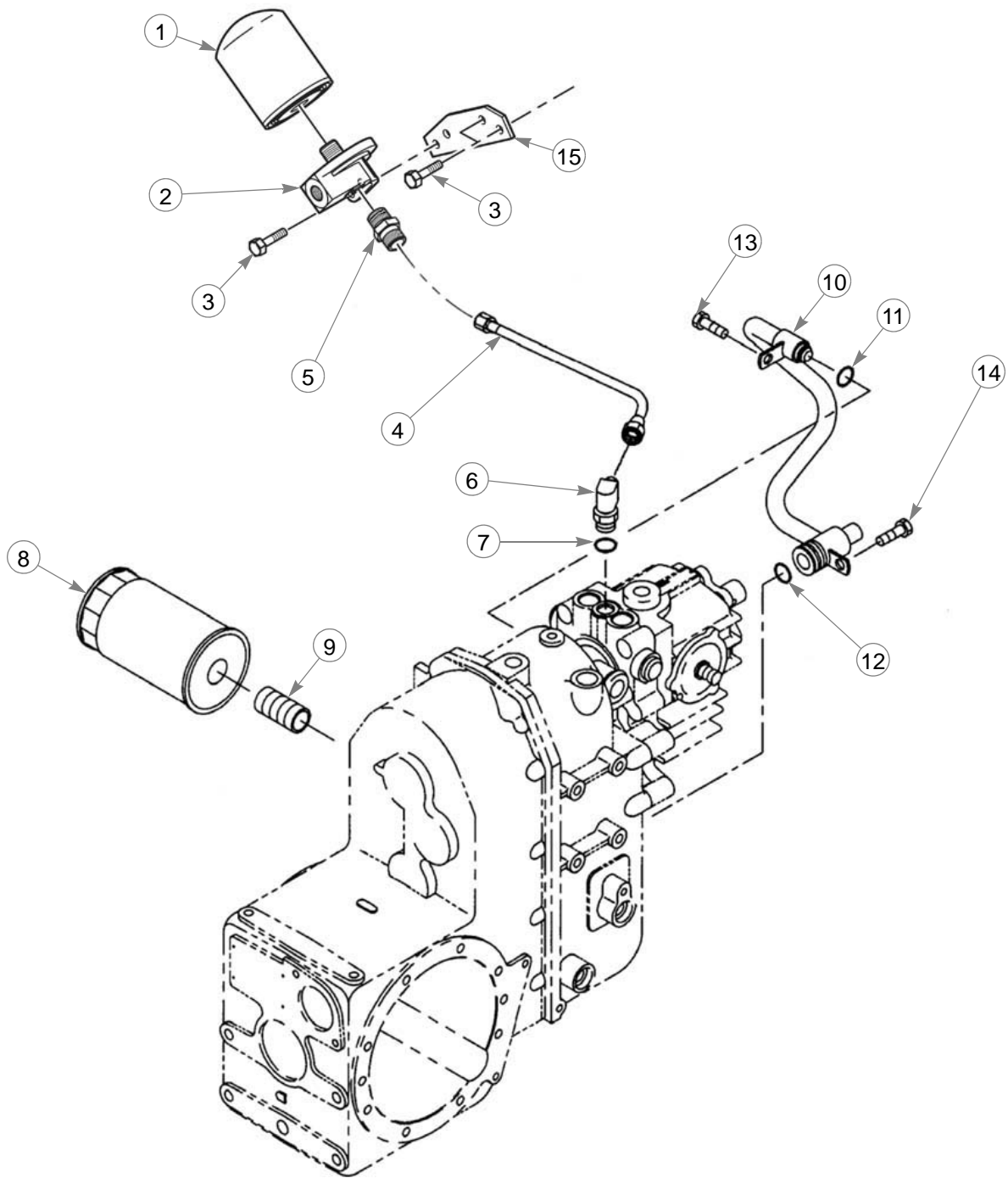
<b>INDEX NO.</b>	<b>SERVICE PART NO.</b>	<b>QTY.</b>	<b>DESCRIPTION</b>
1	340016721	1	CONTROL VALVE, INCLUDES: REF. 2-21
2	NSS	1	VALVE BODY, NOT SERVICED SEPARATELY
3	NSS	1	COVER, NOT SERVICED SEPARATELY
4	011311020	2	M10 X 20 BOLT
5	052100140	2	O-RING
6	340292120	1	PIN
7	010700618	2	M6 X 18 BOLT
8	NSS	1	LINK, NOT SERVICED SEPARATELY
9	NSS	1	SPACER, NOT SERVICED SEPARATELY
10	NSS	2	OIL SEAL, NOT SERVICED SEPARATELY
11	NSS	1	SPACER, NOT SERVICED SEPARATELY
12	NSS	1	SPOOL, NOT SERVICED SEPARATELY
13	NSS	1	O-RING, NOT SERVICED SEPARATELY
14	NSS	1	SPOOL SPRING, NOT SERVICED SEPARATELY
15	048100004	2	STEEL BALL
16	NSS	1	SPRING, NOT SERVICED SEPARATELY
17	NSS	1	STEEL BALL, NOT SERVICED SEPARATELY
18	NSS	1	DETENT, NOT SERVICED SEPARATELY
19	NSS	1	END CAP, SPRING, NOT SERVICED SEPARATELY
20	010700618	2	M6 X 18 BOLT
21	340293826	1	CONTROL VALVE SEAL KIT

---

## **NOTES:**

1. Item 1 (Control Valve Seal Kit-340016721) contains items 2 through 21.

# Hydraulics Filters



---

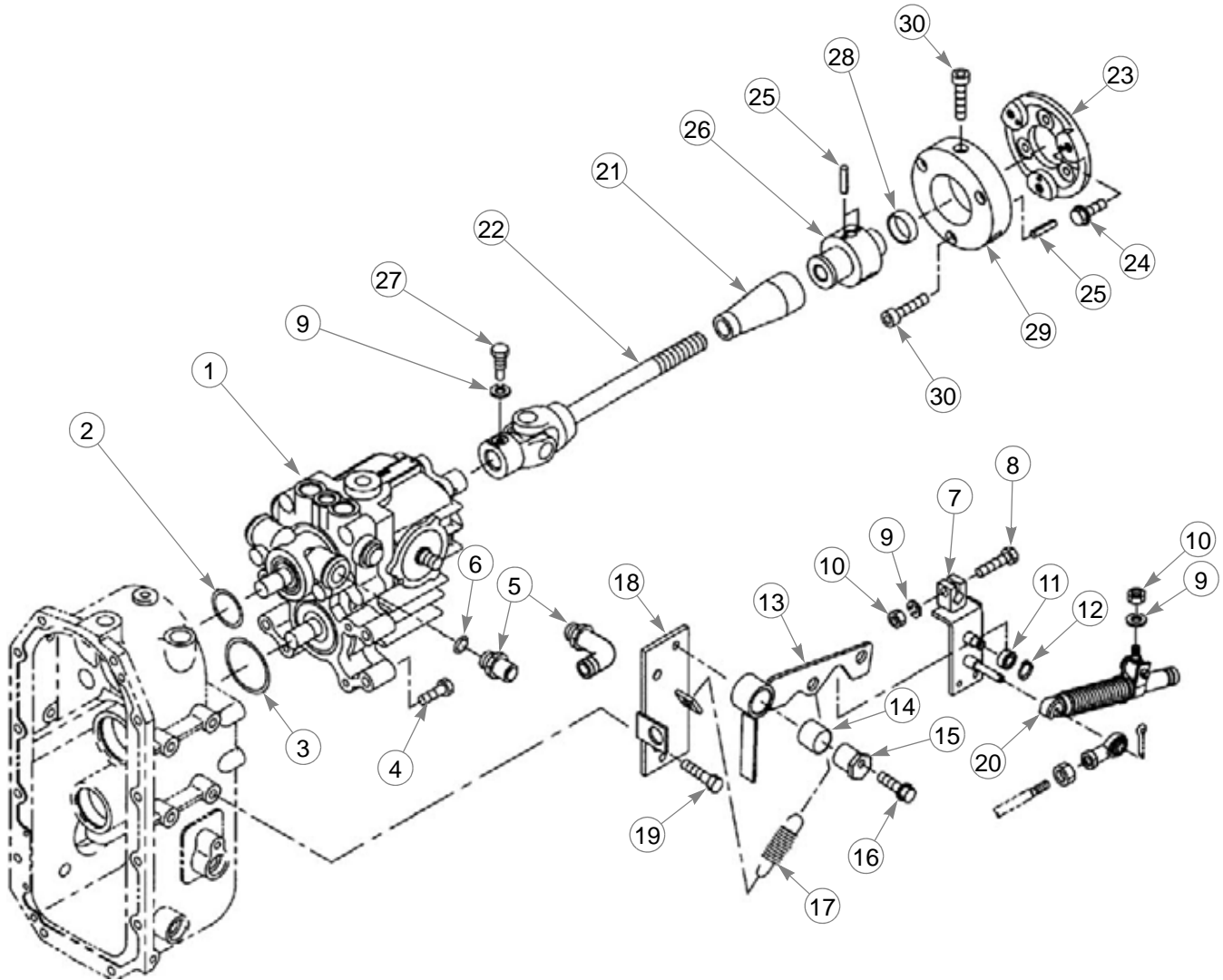
## **Hydraulics Filters**

<b>INDEX NO.</b>	<b>SERVICE PART NO.</b>	<b>QTY.</b>	<b>DESCRIPTION</b>
1	340501040	1	HST HYDRAULIC OIL FILTER
2	340560340	1	FILTER HEAD
3	011510820	4	M8 X 1.25 X 20 BOLT
4	340692060	1	HYDRAULIC PIPE
5	340670030	1	ADAPTOR
6	340673640	1	ADAPTER
7	052100140	1	O-RING
8	340500750	1	TRANSMISSION HYDRAULIC OIL FILTER
9	340673520	1	HYDRAULIC FILTER ADAPTER
10	340707980	1	HYDRAULIC PIPE
11	052100160	1	O-RING
12	052100250	2	O-RING
13	011511016	1	M10 X 16 BOLT
14	011511020	1	M10 X 20 BOLT
15	340530290	1	FILTER MOUNT BRACKET

---

**NOTES:**

# Hydrostatic Drive Coupling





---

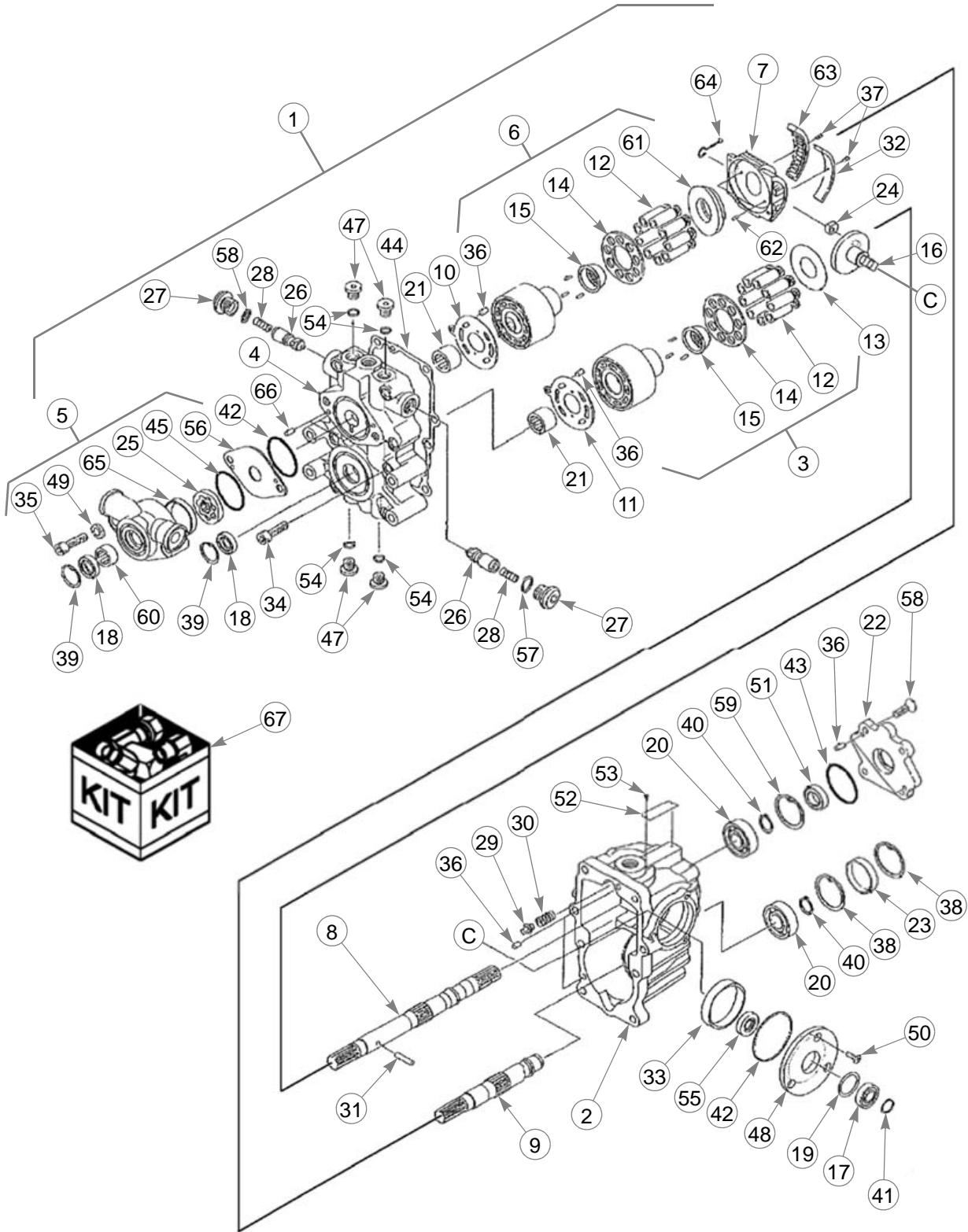
## **Hydrostatic Drive Coupling**

<b>INDEX NO.</b>	<b>SERVICE PART NO.</b>	<b>QTY.</b>	<b>DESCRIPTION</b>
1	322800160	1	MAIN HYDRO TRANSMISSION
2	052300400	1	O-RING
3	052300600	1	O-RING
4	011511050	4	M10 X 50 BOLT
5	340673870	1	ADAPTER
6	052100140	1	O-RING
7	340106620	1	LEVER
8	010310835	1	M8 X 35 8.8 HEX BOLT
9	027100008	3	M8 LOCK WASHER
10	020900008	2	M8 CL 8 NUT
11	040146000	1	BALL BEARING
12	036100010	1	M10 EXT SNAP RING
13	324202780	1	PUMP ARM
14	398510150	1	BUSHING
15	324120980	1	PUMP ADJUSTER STOP
16	011510845	1	M8 X 45 BOLT
17	498221080	1	SPRING
18	324501260	1	GUIDE
19	011511020	2	M10 X 20 BOLT
20	378910020	1	MAIN DRIVE DAMPER
21	398120950	1	SHAFT BOOT
22	398380850	1	PUMP DRIVE SHAFT
23	322613180	1	FLEX COUPLING
24	010331225	3	M12 X 25 BOLT
25	030300412	9	PIN
26	322630140	1	DRIVE SHAFT COUPLING
27	010109265	1	BOLT
28	064210025	1	SEALING PLUG
29	320720230	1	FLEX COUPLING
30	010701035	6	M10 X 35 BOLT

---

### **NOTES:**

# HST Assembly



---

# **HST Assembly**

<b>INDEX NO.</b>	<b>SERVICE PART NO.</b>	<b>QTY.</b>	<b>DESCRIPTION</b>
1	322800160	1	MAIN HYDRO TRANSMISSION
2	NSS	1	CASE, NOT SERVICED SEPARATELY
3	322840825	1	CYLINDER BLOCK KIT
4	NSS	1	CHARGE PUMP CASE, NOT SERVICED SEPARATELY
5	322840823	1	SMALL CHARGE PUMP
6	322840824	1	CYLINDER BLOCK KIT
7	322840790	1	SWASH PLATE
8	322840791	1	UPPER SHAFT
9	322840792	1	LOWER SHAFT
10	322840793	1	UPPER PLATE
11	322840794	1	LOWER VALVE PLATE
12	NSS	18	PISTON ASSEMBLY, NOT SERVICED SEPARATELY
13	322840795	1	THRUST PLATE
14	NSS	2	RETAINER, NOT SERVICED SEPARATELY
15	NSS	2	RETAINER HOLDER, NOT SERVICED SEPARATELY
16	322840796	1	SHAFT
17	322840797	1	BALL BEARING
18	NSS	1	NOT SERVICED SEPARATELY
19	322840799	1	WASHER
20	322840800	2	BALL BEARING
21	322840801	2	NEEDLE BEARING
22	322840802	1	COVER
23	322840803	1	BORE PLUG
24	322840804	1	METAL SLIDES
25	NSS	1	ROTOR, NOT SERVICED SEPARATELY
26	322840773	2	CONTROL VALVE
27	322840774	2	PLUG
28	322840775	1	SPRING
29	322840728	1	CONTROL VALVE
30	322840727	1	SPRING
31	322840805	1	PIN
32	322840806	1	BUSHING
33	322840807	1	BUSHING
34	322840808	8	SOCKET HEAD BOLT
35	010701045	2	M10 X 45 BOLT
36	322840809	6	PIN
37	322840810	2	PIN
38	036500055	2	INT M55 SNAP RING
39	036500030	2	INT M30 SNAP RING
40	036100025	2	EXT M25 SNAP RING
41	036100020	1	EXT M20 SNAP RING
42	NSS	2	O-RING, NOT SERVICED SEPARATELY
43	NSS	1	O-RING, NOT SERVICED SEPARATELY
44	NSS	1	GASKET, NOT SERVICED SEPARATELY
45	NSS	1	O-RING, NOT SERVICED SEPARATELY
46	NSS	2	SPRING, NOT SERVICED SEPARATELY
47	322840813	4	PLUG
48	322840814	1	COVER
49	026100010	2	M10 X 20 X 2 WASHER

---

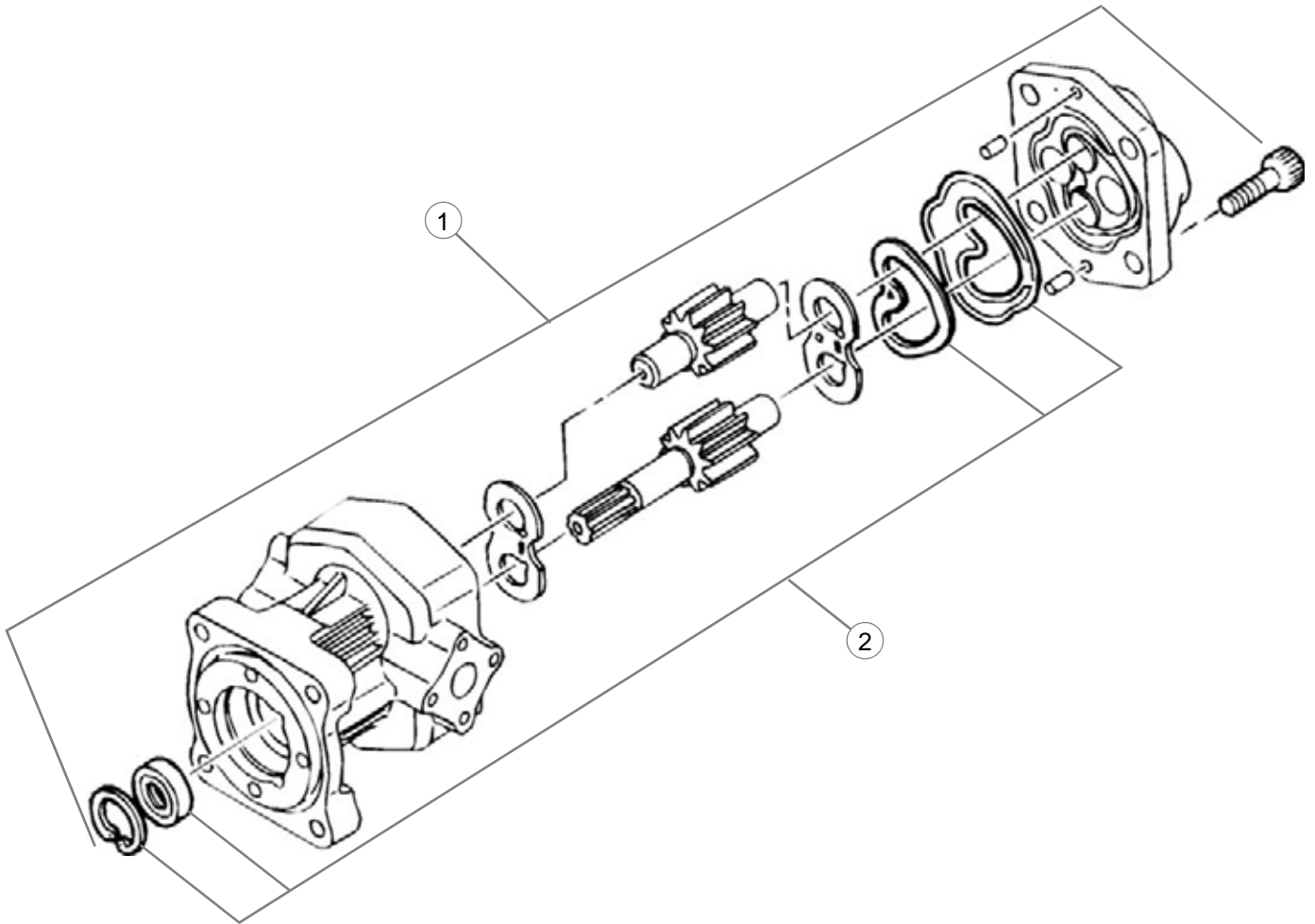
INDEX NO.	SERVICE PART NO.	QTY.	DESCRIPTION
50	015300614	3	SCREW
51	NSS	1	NOT SERVICED SEPARATELY
52	NSS	1	NOT SERVICED SEPARATELY
53	NSS	2	NOT SERVICED SEPARATELY
54	052110110	4	O-RING
55	NSS	1	NOT SERVICED SEPARATELY
56	322840821	1	PLATE
57	NSS	2	NOT SERVICED SEPARATELY
58	322840817	4	SCREW
59	036500052	1	INT #206 2.062" SNAP RING
60	NSS	1	NOT SERVICED SEPARATELY
61	322840818	1	THRUST PLATE
62	322840779	2	PIN
63	322840819	1	ROLLER BEARING
64	322840820	1	GUIDE ASSEMBLY LATCH
65	NSS	1	NOT SERVICED SEPARATELY
66	410810430	2	PIN
67	322840822	1	HST SEALS KIT

---

**NOTES:**

1. Item 1 (Main Hydro Transmission-322800160).
2. Item 3 (Cylinder Block Kit-322840825) includes items 12, 14, 15.
3. Item 5 (Small Charge Pump-322840823) includes items 17, 25.
4. Item 6 (Cylinder Block Kit-322840824) includes Items 12, 14, 15.

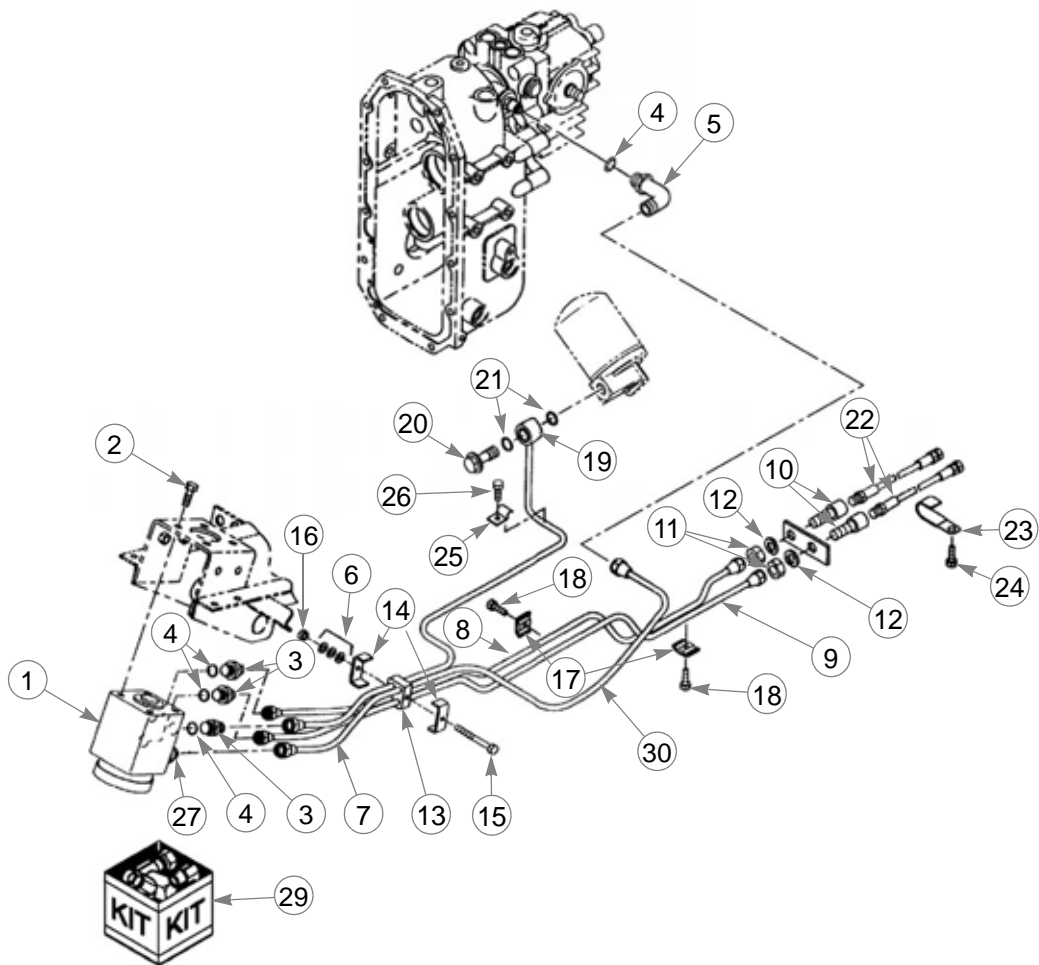
# Hydraulic Pump



INDEX NO.	SERVICE PART NO.	QTY.	DESCRIPTION
1	340451030	1	AUX HYDRAULIC PUMP
2	340490224	1	PW STEERING SEAL KIT

**NOTES:**

# Steering Case Hydraulics



---

## **Steering Case Hydraulics**

INDEX NO.	SERVICE PART NO.	QTY.	DESCRIPTION
1	334011200	1	CONTROL VALVE
2	011611020	4	BOLT
3	340671220	2	M14 ADAPTER
4	052100140	4	O-RING
5	340673870	1	ADAPTER
6	026100006	3	M6 X12 X 1.6 WASHER
7	340707991	1	POWER STEERING PIPE
8	340708000	1	POWER STEERING PIPE
9	340708010	1	POWER STEERING PIPE
10	340671381	2	ADAPTER
11	020800014	2	NUT
12	027100014	2	9/16" LOCK WASHER
13	398115630	1	CLAMP
14	399112130	2	CLAMP
15	010110660	1	M6 X 60, 8.8 HEX BOLT
16	022400006	1	NUT
17	199106020	2	CLAMP
18	010800620	2	M6 X 20 BOLT
19	340708020	1	HYDRAULIC PIPE
20	398480240	1	3/8" BANJO EYE BOLT
21	052100200	2	O-RING
22	340692021	2	HOSE
23	399110340	1	CLAMP
24	011511020	1	M10 X 20 BOLT
25	399100630	1	CLAMP
26	011310620	1	M6 X 20, 8.8 HEX BOLT
27	334293135	1	POWER STEERING CHECK VALVE
28	340692650	1	PIPE
29	340060380		STEERING PIPE KIT
30	340690510	1	OIL HOSE

---

### **NOTES:**

1. Item 1 (Steering Pipe Kit-340060380) Contains 3,4,5,7,28

---

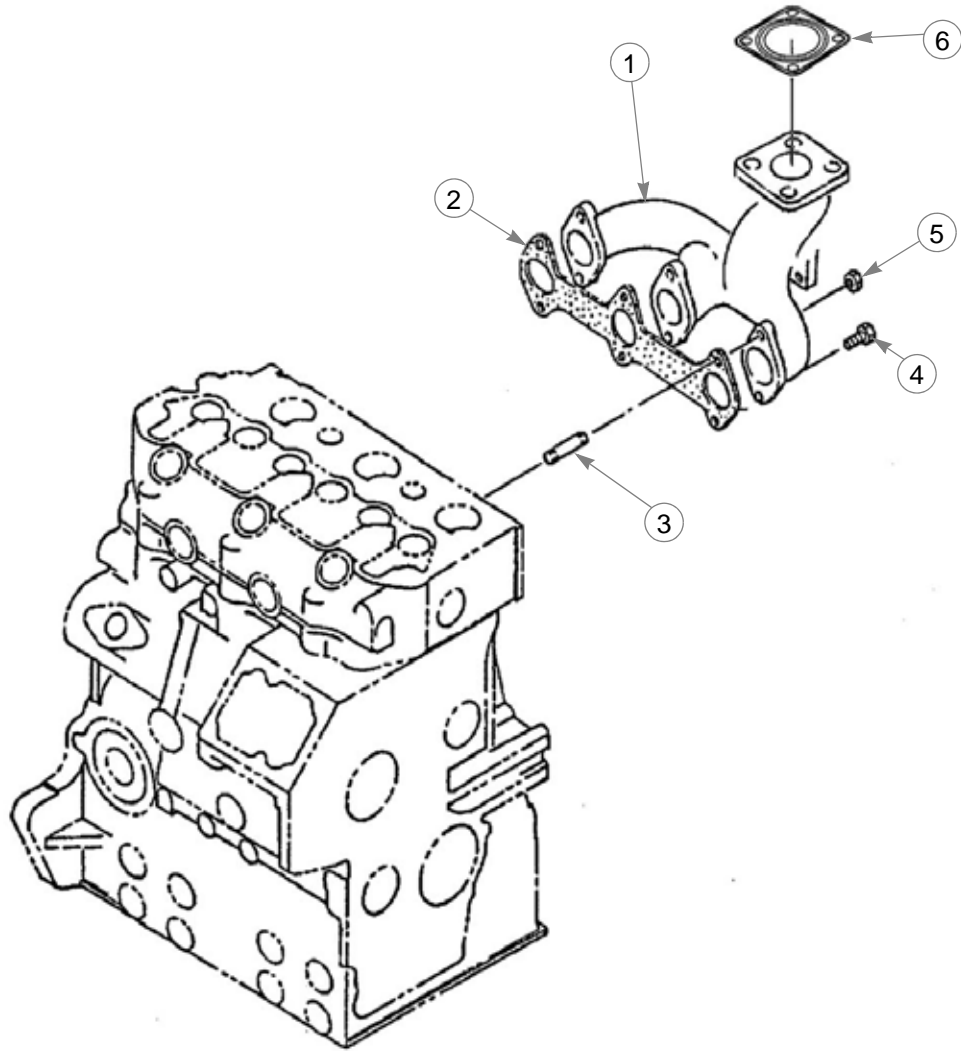


---

## Section 7

Exhaust Manifold . . . . .	7-2
Air Cleaner & Muffler . . . . .	7-4
Radiator . . . . .	7-6
Engine Support . . . . .	7-8
Fuel Tank . . . . .	7-10
Fuel Lines & Battery . . . . .	7-12

# Exhaust Manifold



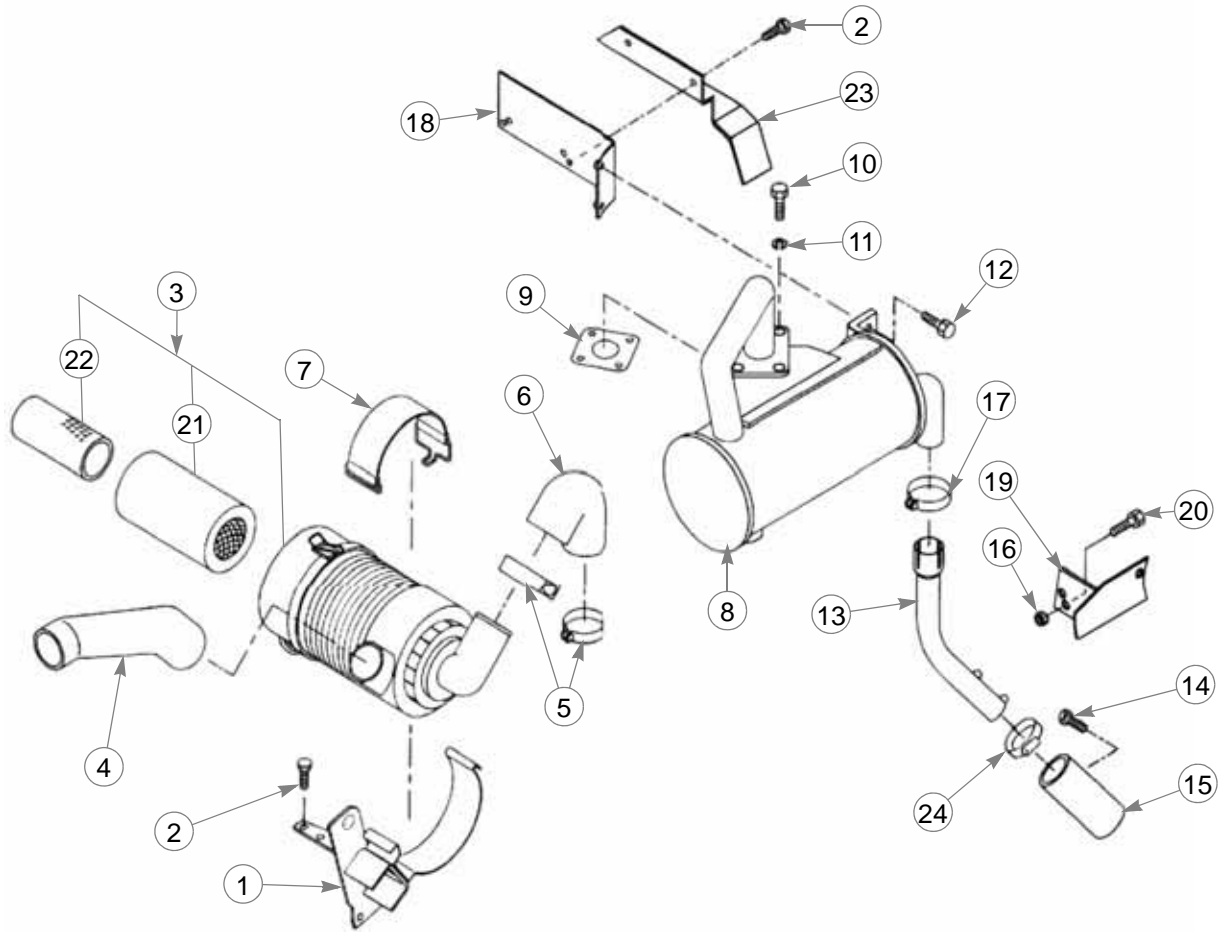
INDEX NO.	SERVICE PART NO.	QTY.	DESCRIPTION
1	135616400	1	EXHAUST MANIFOLD
2	135996590	1	MANIFOLD GASKET
3	012110625	2	STUD
4	011310625	4	M6 X 25, 8.8 HEX BOLT
5	023100006	2	M6 X 1 NUT
6	314990013	1	MUFFLER GASKET

## NOTES:

---

**This page is intentionally left blank.**

# Air Cleaner & Muffler



---

## **Air Cleaner & Muffler**

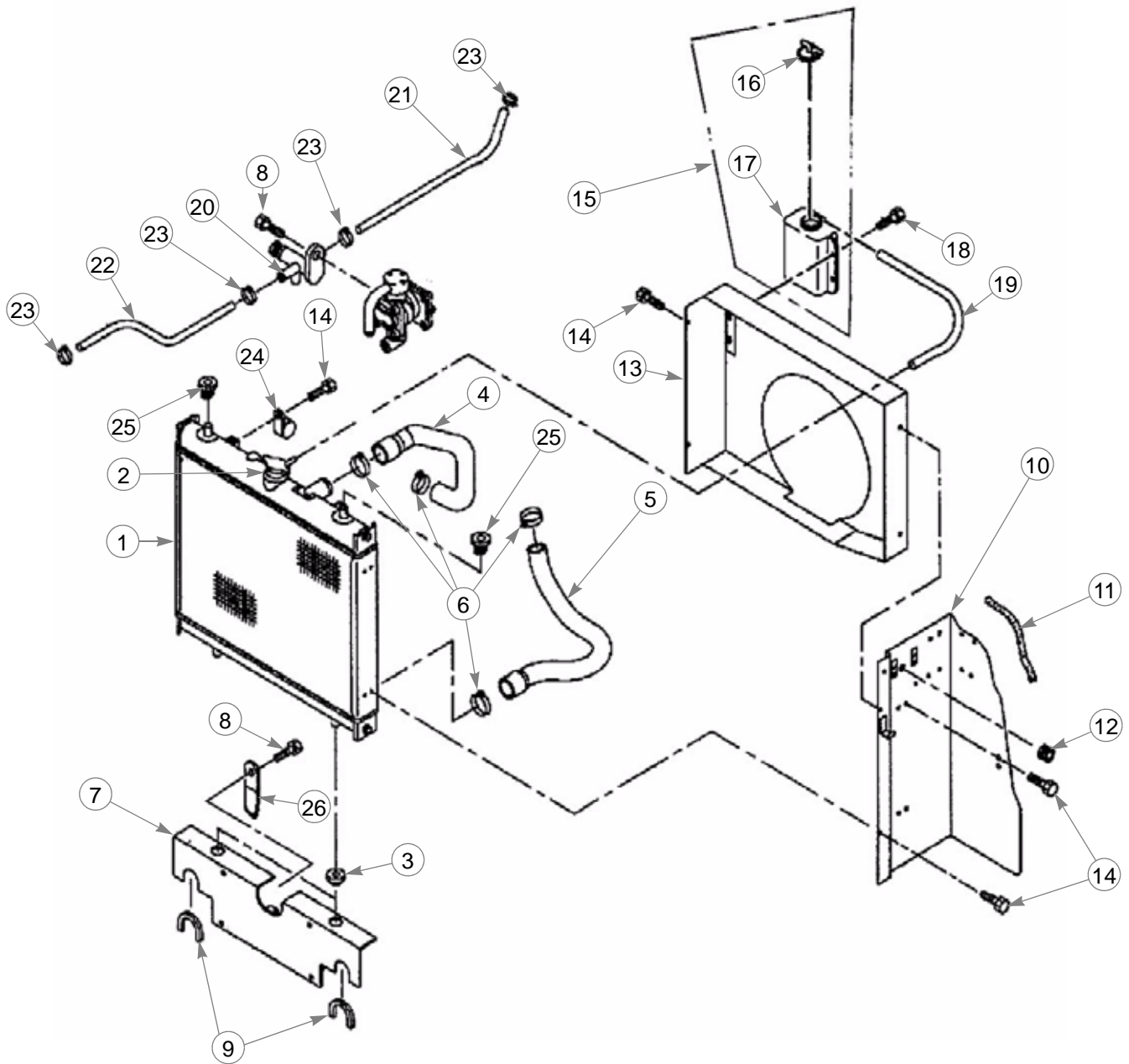
INDEX NO.	SERVICE PART NO.	QTY.	DESCRIPTION
1	314601871	1	AIR CLEANER MOUNT 3500
	314601701	1	AIR CLEANER MOUNT 3700
2	010800816	3	M8 X 16 BOLT
3	314500860	1	AIR CLEANER INCLUDES: REF. 21 & 22
4	314541250	1	AIR CLEANER SUCTION HOSE
5	067100062	2	COLLAR CLAMP
6	314541890	1	AIR CLEANER HOSE 3500
	314541680	1	AIR CLEANER HOSE 3700
7	398119972	1	AIR CLEANER CLAMP
8	314102391	1	MUFFLER
9	314990013	1	MUFFLER GASKET
10	010109337	4	BOLT
11	027100008	4	M8 LOCK WASHER
12	011810816	2	BOLT
13	314102610	1	EXHAUST PIPE 3500
	314102410	1	EXHAUST PIPE 3700
14	010109206	2	BOLT
15	314141190	1	EXHAUST TIP
16	020900010	1	M10 NUT
17	398750260	1	CLAMP
18	314430670	1	MUFFLER SUPPORT
19	314430650	1	MUFFLER SUPPORT 3500
	314430531	1	MUFFLER SUPPORT 3700
20	010311040	1	FULL THREAD M10 X 40, 8.8 HEX BOLT
21	785261	1	AIR FILTER
22	785279	1	SAFETY FILTER
23	350755850	1	FLYWHEEL COVER
24	398750410	1	CLAMP

---

### **NOTES:**

1. Item 3 (Air Cleaner 314500860) includes: Ref. 21 & 22

# Radiator



---

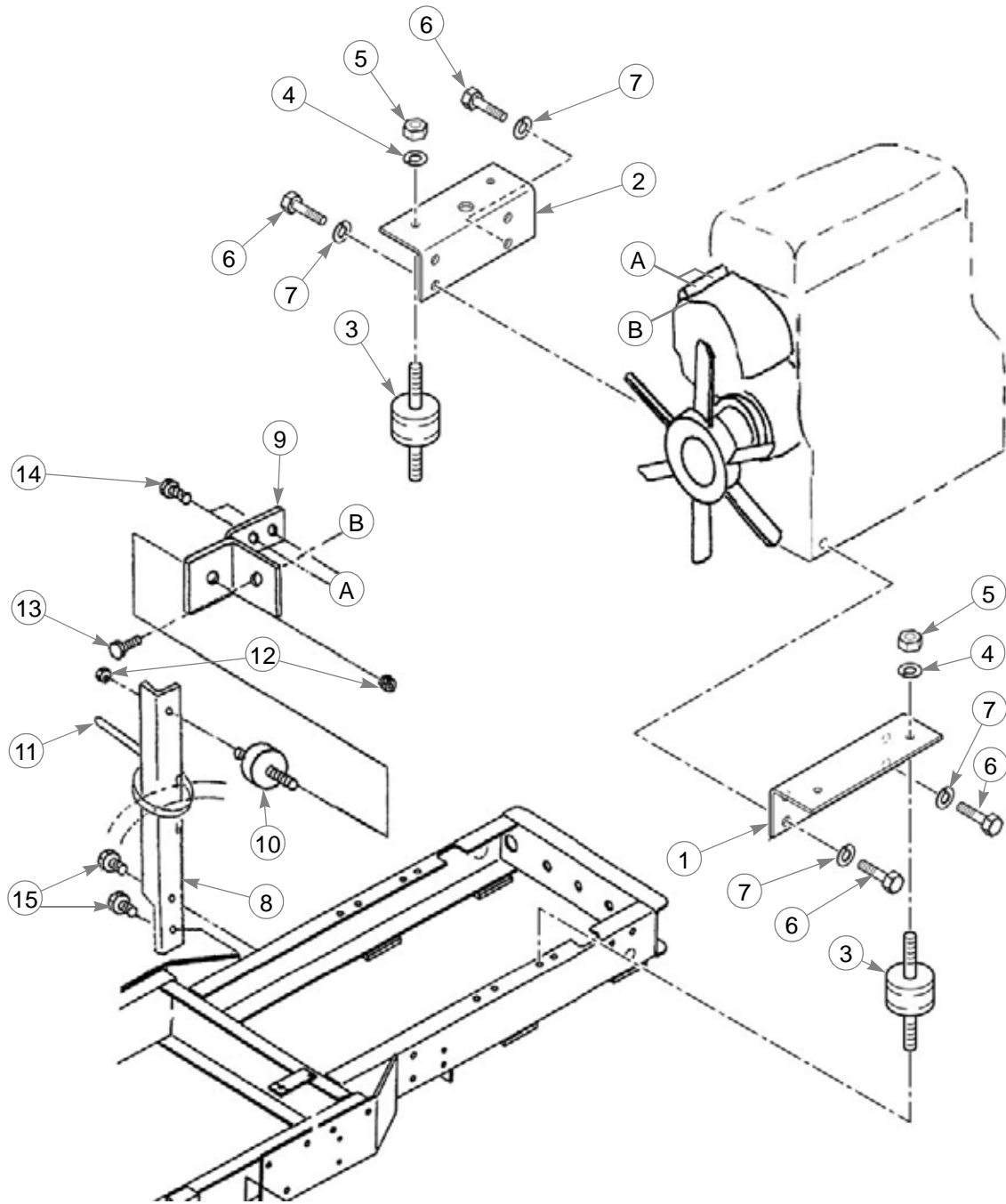
# **Radiator**

INDEX NO.	SERVICE PART NO.	QTY.	DESCRIPTION
1	310100980	1	RADIATOR
2	310110200	1	RADIATOR CAP
3	398119670	2	RADIATOR MOUNT BUSHING
4	310161500	1	UPPER COOLANT HOSE
5	310161510	1	LOWER COOLANT HOSE
6	067100043	4	CLAMP
7	310300880	1	RADIATOR SUPPORT
8	010800820	3	M8 X 20, 8.8 HEX FLANGED BOLT
9	398121160	2	RUBBER SEAL 3.5 IN (90MM) LONG
10	310361381	1	RADIATOR PLATE SUPPORT
11	398127270	1	RUBBER SEAL
12	398110240	1	GROMMET
13	310250122	1	SHROUD
14	010800612	4	M6 X12 BOLT
15	310550110	1	COOLANT TANK ASSEMBLY
16	310110190	1	COOLANT TANK CAP
17	310560050	1	COOLANT TANK
18	010800616	2	M6 X16 BOLT
19	310120260	1	COOLANT OVERFLOW PIPE
20	310130290	1	SUPPLY DRAINCOCK/TAP
21	360771170	1	COOLANT DRAIN TUBE 10.6 IN (270MM)
22	360771280	1	COOLANT DRAIN TUBE
23	398750430	4	CLAMP
24	399111960	1	CLAMP
25	398110501	2	RUBBER PLUG
26	399113620	1	CLAMP

---

## **NOTES:**

# Engine Support





---

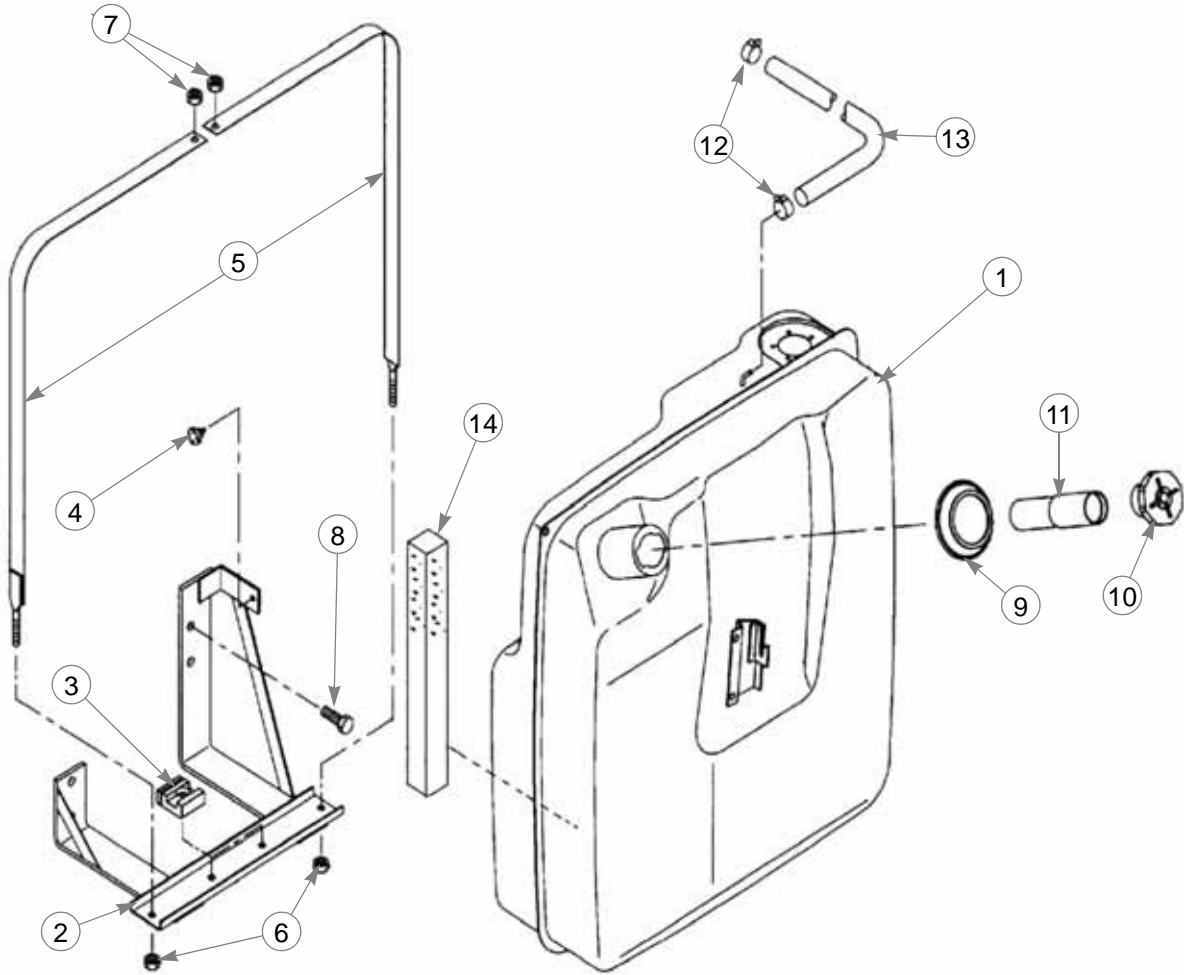
## **Engine Support**

<b>INDEX NO.</b>	<b>SERVICE PART NO.</b>	<b>QTY.</b>	<b>DESCRIPTION</b>
1	310610460	1	LEFT ENGINE MOUNT 3500
	310610480	1	LEFT ENGINE MOUNT 3700
2	310610470	1	RIGHT ENGINE MOUNT 3500
	310610490	1	RIGHT ENGINE MOUNT 3700
3	398120790	4	RUBBER ENGINE MOUNT
4	027100010	4	M10 LOCK WASHER
5	020900010	4	M10 CL 8 NUT
6	010411425	8	M14 X 25 BOLT
7	027100014	8	9/16" LOCK WASHER
8	310610510	1	ENGINE SIDE SUPPORT
9	310610681	1	SUPPORT BRACKET
10	398110550	1	RUBBER BUSHING
11	398750150	1	CABLE STRAP
12	021500010	2	NUT
13	011510820	1	M8 X 1.25 X 20 BOLT
14	011310616	2	M6 X16 BOLT
15	010311020	2	FULL THREAD M10 X 20 8.8 HEX BOLT

---

### **NOTES:**

# Fuel Tank



---

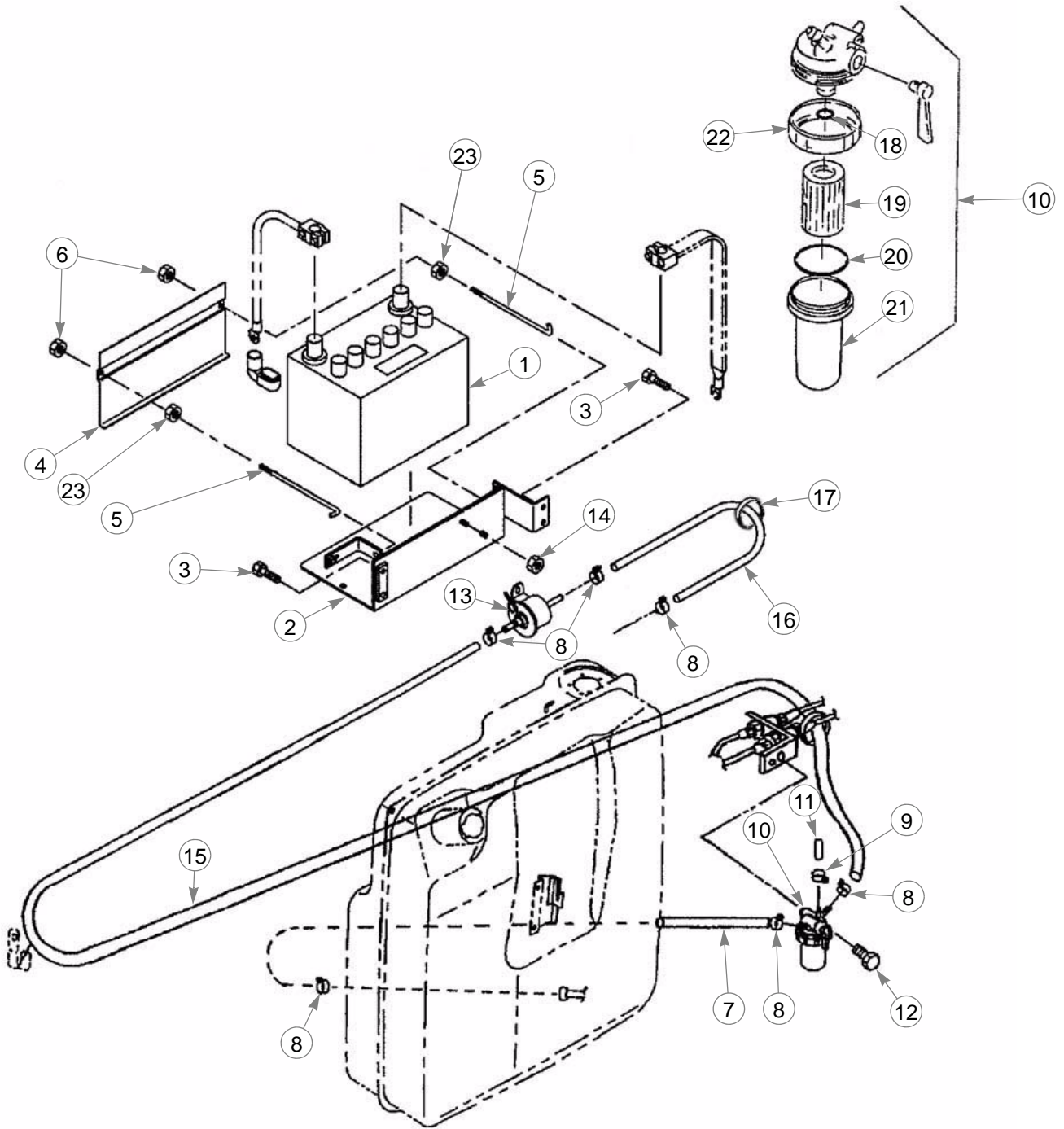
## **Fuel Tank**

INDEX NO.	SERVICE PART NO.	QTY.	DESCRIPTION
1	360102110	1	FUEL TANK
2	360501350	1	FUEL TANK SUPPORT
3	398115530	2	FUEL TANK INSULATOR
4	398110110	1	RUBBER BUMPER
5	360200670	2	TANK RESTRAINT BAND
6	022300008	2	M8 NUT
7	023100010	2	M8 NUT
8	011511025	4	M10 X 25 BOLT
9	398113570	1	FUEL NECK SEAL
10	360300080	1	FUEL TANK CAP
11	130340110	1	FUEL NECK FILTER
12	067200078	2	HOSE CLAMP
13	068209075	1	FLEXIBLE HOSE 39" (1000 MM) LONG
14	398130310	1	FUEL TANK SEAL

---

**NOTE:**

# Fuel Lines & Battery



---

## **Fuel Lines & Battery**

INDEX NO.	SERVICE PART NO.	QTY.	DESCRIPTION
1	398510750	1	BATTERY
2	389101950	1	BATTERY SUPPORT
3	011510825	4	M8 X 25 BOLT
4	389410310	1	BATTERY COVER
5	389320231	2	J-BOLT BATTERY HOLD DOWN
6	023100006	2	M6 X 1 NUT
7	360771060	1	FUEL HOSE
8	067200130	6	HOSE CLAMP
9	067200078	1	HOSE CLAMP
10	360700230	1	FUEL FILTER (INCLUDES 18-22)
11	131646010	1	FUEL FILTER COVER
12	011510840	1	M8 X 40 BOLT
13	360800040	1	FUEL PUMP
14	021500006	2	M6 X 1 NUT
15	360771080	1	FUEL HOSE 3500/3700
16	360771290	1	FUEL HOSE 3500/3700
17	398750150	1	TIE STRAP
18	052100100	1	O-RING
19	360720130	1	FUEL FILTER ELEMENT 3500/3700
20	052100400	1	O-RING
21	360710060	1	FUEL FILTER BOWL
22	360740123	1	FUEL FILTER SPECIAL NUT
23	020100006	2	M6 NUT

---

**NOTE:**

1. Item 10 (Fuel Filter) Contains 18, 19, 20, 21, & 22

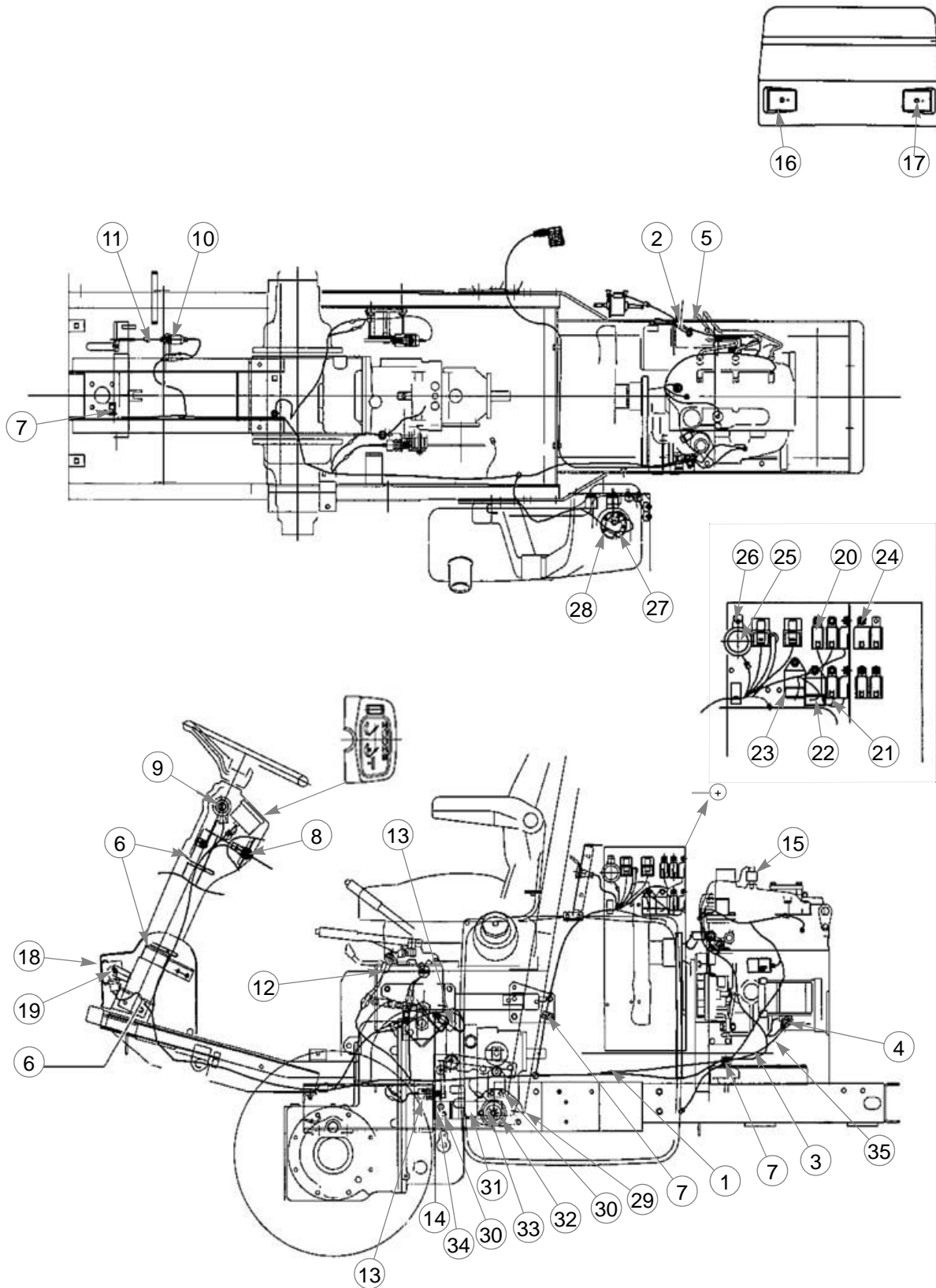


---

## Section 8

Wire Harness ..... 8-2

# Wire Harness





---

## Wire Harness

INDEX NO.	SERVICE PART NO.	QTY.	DESCRIPTION
1	385611040	1	MAIN WIRE HARNESS
2	385612820	1	WIRE HARNESS
3	385650461	1	POSTIVE BATTERY CABLE
4	398119870	1	RUBBER PAD
5	385650511	1	NEGATIVE BATTERY CABLE
6	398750240	4	CABLE STRAP
7	399113650	3	CLAMP
8	385201810	1	HEAD-LAMP SWITCH
9	385202110	1	STARTER SWITCH
10	485220181	1	BRAKE SAFETY SWITCH
11	398211880	1	SPRING
12	385200731	1	PARKING BRAKE SAFETY SWITCH
13	385200891	2	HST, PTO SAFETY SWITCH
14	385240038	1	M14 NUT
15	385200570	1	AIR CLEANER SWITCH
16	385150200	2	LAMP HOOD REFLECTOR
17	023100006	2	M6 X 1 NUT
18	385101910	1	HEADLIGHT FRONT LAMP
19	010800616	2	M6 X 16 BOLT
20	385230300	5	ISM RELAY
21	385230250	1	BRAKE RELAY
22	385870301	1	GLOW TIMER CONTROL UNIT
23	385870640	1	DELAY TIMER CONTROL UNIT
24	010810616	8	M6 X 16 BOLT
25	385250130	1	SAFETY BUZZER
26	015150520	1	SCREW
27	385280210	1	FUEL SENDER GAUGE
28	015140514	5	SCREW
29	399568750	1	PLATE
30	010800814	3	M8 X 14 BOLT
31	399568740	1	MAGNET SUPPORT
32	385310020	1	CRUISE CONTROL 6" MAGNET WIRE
33	398511990	1	PLASTIC BUSHING
34	011511025	1	M10 X 25 BOLT
35	385603370	1	FUSIBLE LINK

---

### NOTES:

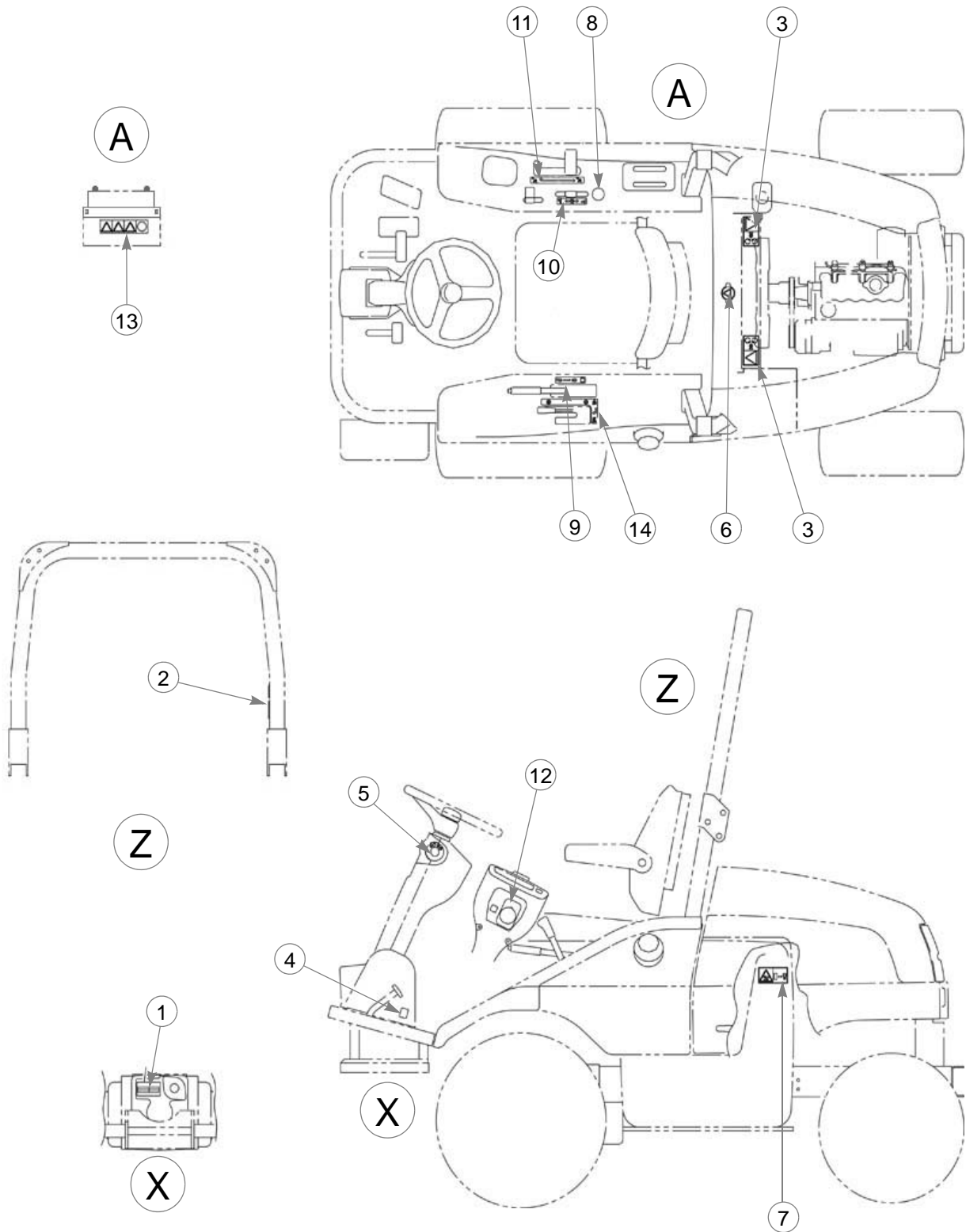


---

## Section 9

Control Decals . . . . .	9-2
Tractor Decals—S/N Prior to 09080000 . . . . .	9-4
Tractor Decals—S/N 09080000 & Higher . . . . .	9-6
Wheel Assembly . . . . .	9-8

# Control Decals



---

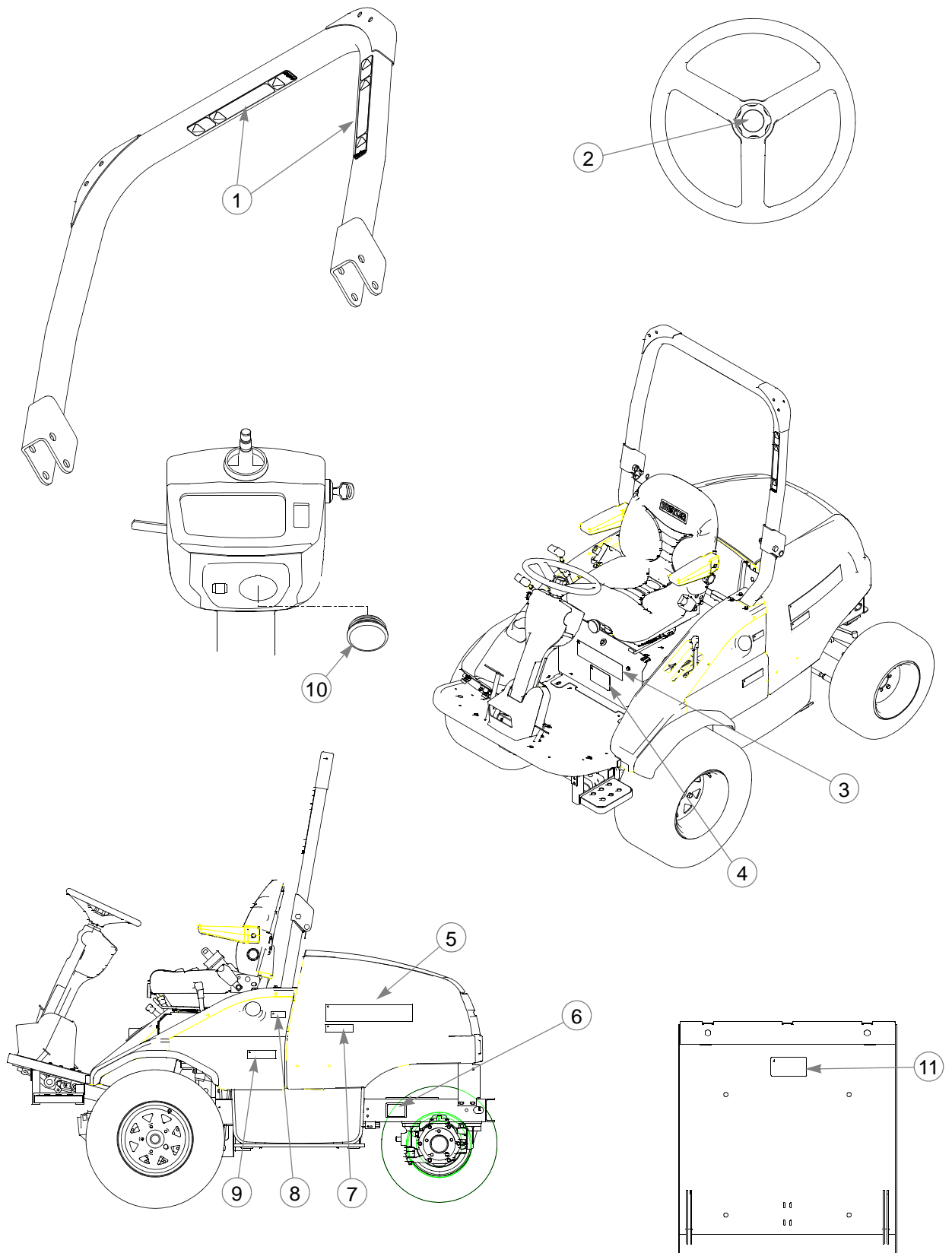
## **Control Decals**

<b>INDEX NO.</b>	<b>SERVICE PART NO.</b>	<b>QTY.</b>	<b>DESCRIPTION</b>
1	390292831	1	NAME PLATE
2	390297151	1	NAME PLATE
3	490992470	2	FAN CAUTION DECAL
4	390191690	1	DIFFERENTIAL LOCK DECAL
5	390197720	1	KEY SWITCH DECAL
6	490992490	1	RADIATOR CAP CAUTION DECAL
7	490992440	1	HOT CAUTION DECAL
8	390372000	1	FLOAT CONTROL DECAL
9	390197710	1	PARKING BRAKE CAUTION DECAL
10	390372400	1	ATT. CONTROL DECAL
11	390173600	1	PTO DECAL
12	390197120	1	CAUTION PLATE
13	490992480	1	BATTERY CAUTION DECAL
14	390173650	1	SHIFT CONTROL DECAL

---

### **NOTES:**

# **Tractor Decals—S/N Prior to 09080000**



---

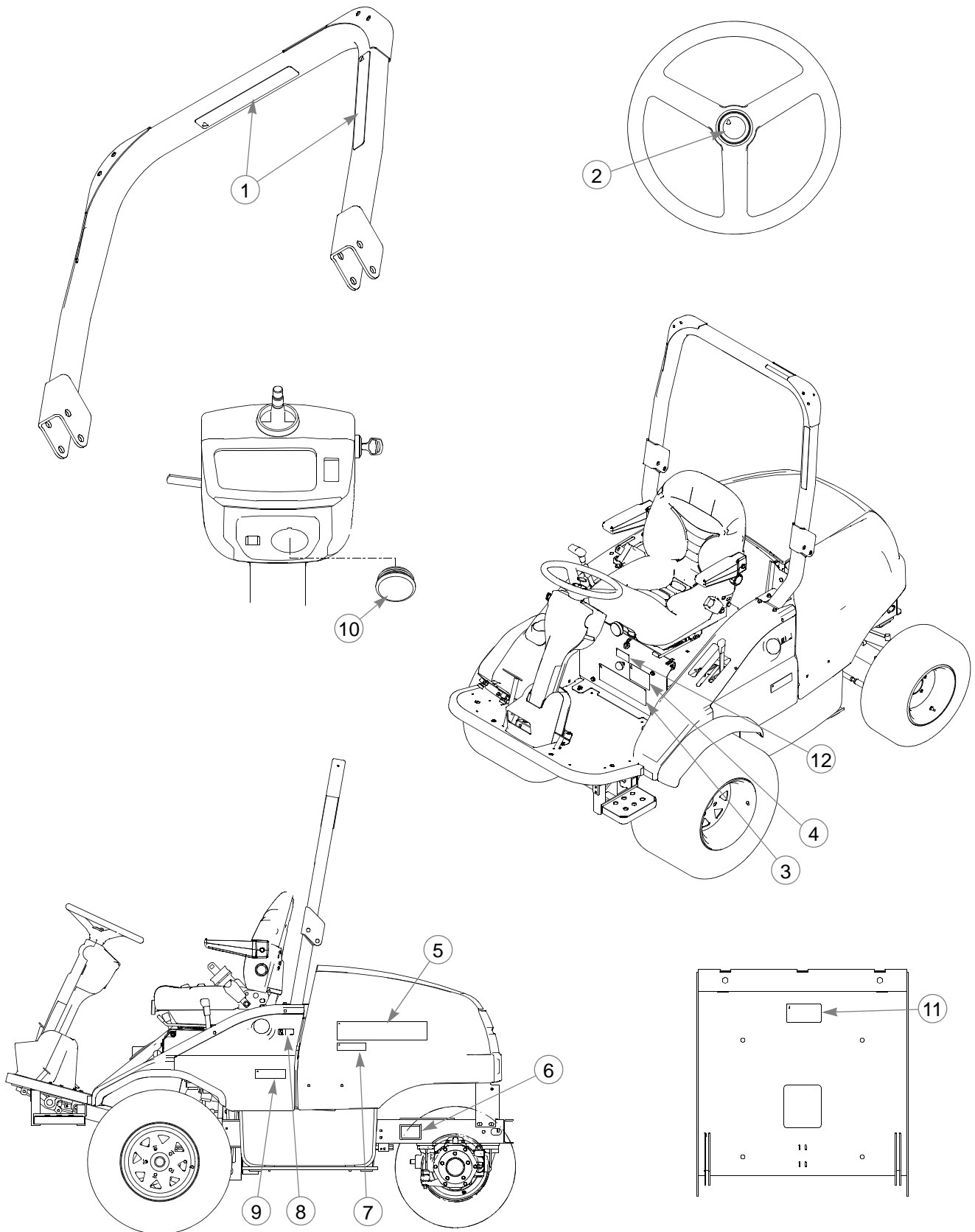
## **Tractor Decals—S/N Prior to 09080000**

<b>INDEX NO.</b>	<b>SERVICE PART NO.</b>	<b>QTY.</b>	<b>DESCRIPTION</b>
1	601635	2	ROPS DECAL
2	601622	1	DOMED STEERING WHEEL DECAL
3	601415	1	DIFFERENTIAL LOCK DECAL
4	601625	1	EYES, EARS, FEET DECAL
5	601604	2	HUSTLER/SHIBAURA DECAL
6	083279	1	SERIAL PLATE (NOT SERVICABLE)
7	601606	2	3500 ID DECAL
	601607	2	3700 ID DECAL
8	728469	1	DIESEL FUEL DECAL
9	601605	2	ALL WHEEL DRIVE DECAL
10	602075	1	PLUG PE FOR 2.25 O.D.
11	601968	1	HYDRAULIC PRESSURE DECAL,

---

### **NOTES:**

# **Tractor Decals—S/N 09080000 & Higher**





---

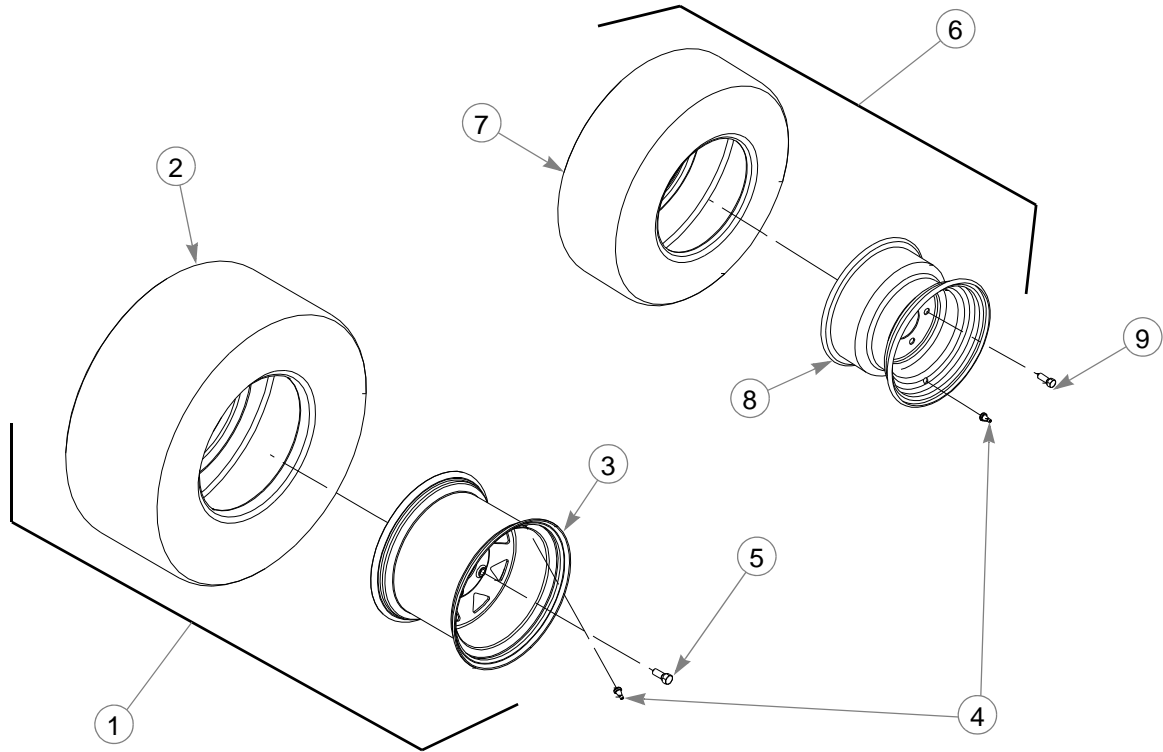
## **Tractor Decals—S/N 09080000 & Higher**

<b>INDEX NO.</b>	<b>SERVICE PART NO.</b>	<b>QTY.</b>	<b>DESCRIPTION</b>
1	601635	2	ROPS DECAL
2	601622	1	DOMED STEERING WHEEL DECAL
3	601415	1	DIFFERENTIAL LOCK DECAL
4	601625	1	EYES, EARS, FEET DECAL
5	601604	2	HUSTLER/SHIBAURA DECAL
6	083279	1	SERIAL PLATE (NOT SERVICABLE)
7	601606	2	3500 ID DECAL
	601607	2	3700 ID DECAL
8	728469	1	DIESEL FUEL DECAL
9	601605	2	ALL WHEEL DRIVE DECAL
10	602075	1	PLUG PE FOR 2.25 O.D.
11	601968	1	HYDRAULIC PRESSURE DECAL,
12	602327	1	SEAT LATCH DECAL

---

### **NOTES:**

# Wheel Assembly



---

# **Wheel Assembly**

<b>INDEX NO.</b>	<b>SERVICE PART NO.</b>	<b>QTY.</b>	<b>DESCRIPTION</b>
1	601610	2	TIRE & WHEEL ASSEMBLY, 24 X 12-12 (WITH VALVE)
2	781245	2	TIRE 24 X 12 -12 TURFMASTER
3	601611	2	12 X 10.50 WHEEL ASSEMBLY
4	019521	4	TIRE VALVE TR - 412 GOODY
5	601608	10	LUG BOLT 1/2 - 20 HXG8 60° TAPER
6	601612	2	TIRE & WHEEL ASSEMBLY, 20 X 8-10 (WITH VALVE)
7	600692	2	TIRE 20 X 8 -10
8	601613	2	10 X 7.00 WHEEL ASSEMBLY
9	601609	10	LUG BOLT 7/16 - 20 HZG8 75° TAPER

---

## **NOTES:**

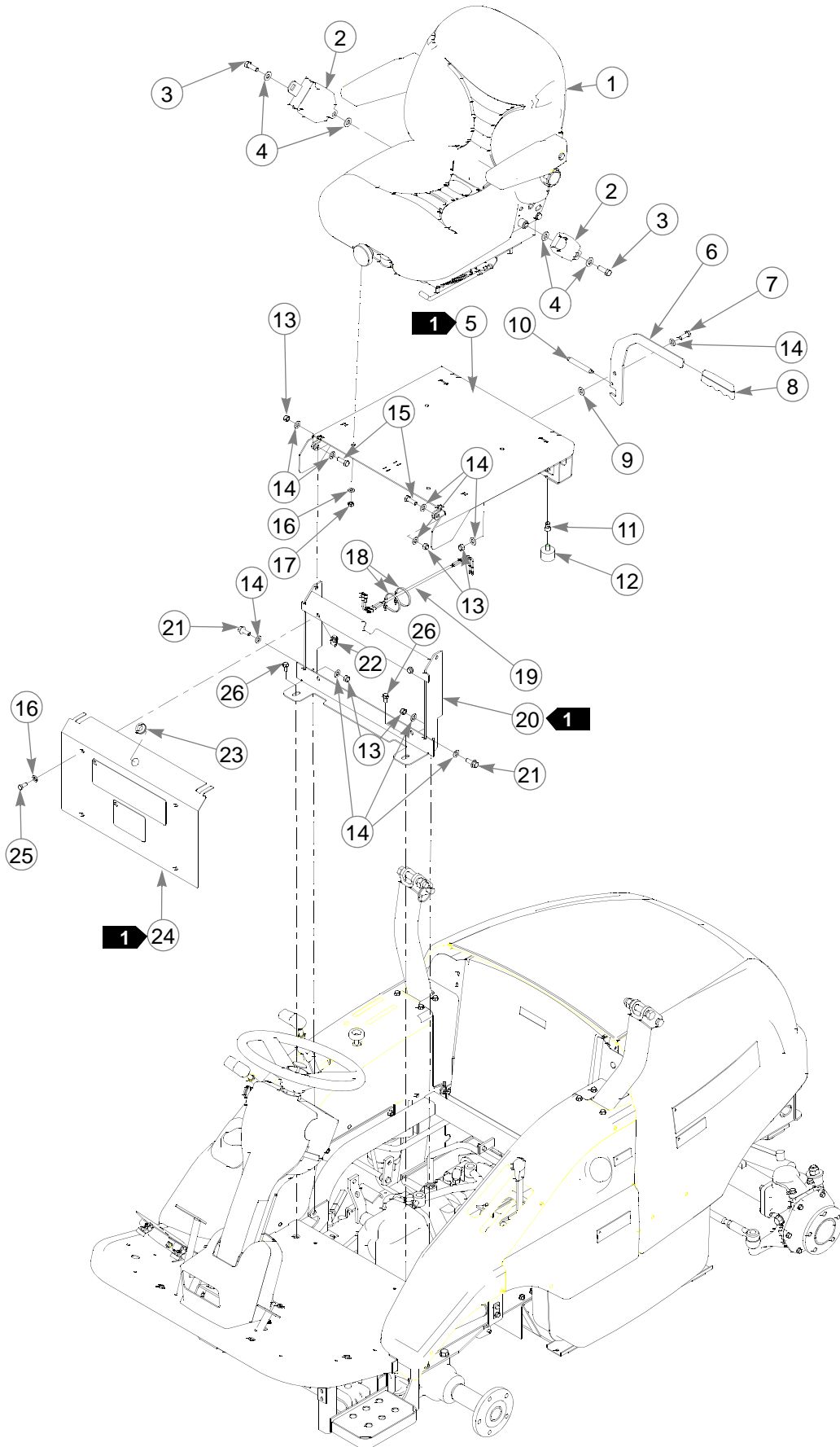
---

---

## Section 10

Seat Assembly—S/N Prior to 09080000 . . . . .	10-2
Seat Assembly—S/N 09080000 and Higher . . . . .	10-4
Counter Weights . . . . .	10-6

# **Seat Assembly—S/N Prior to 09080000**



---

## **Seat Assembly—S/N Prior to 09080000**

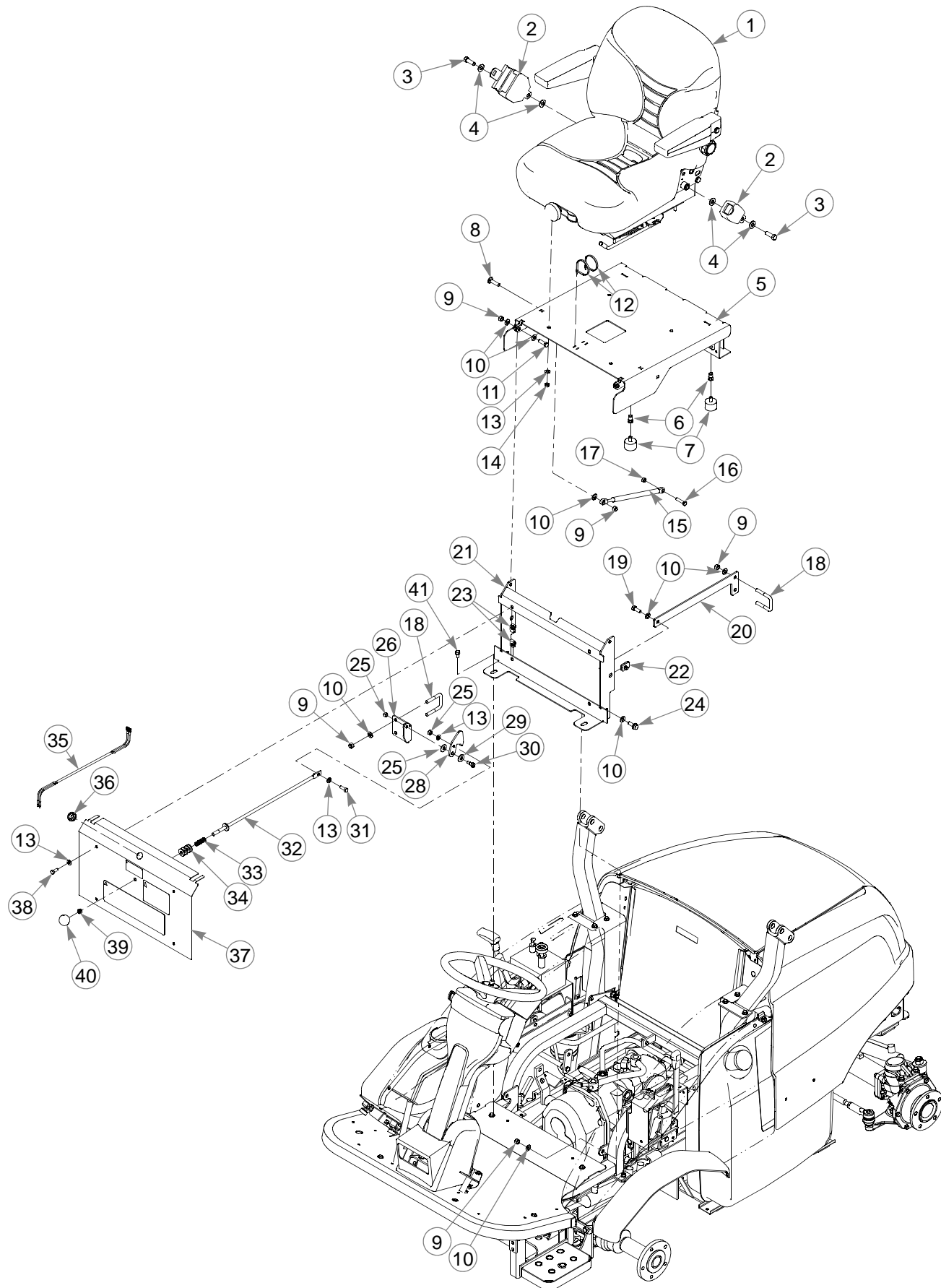
INDEX NO.	SERVICE PART NO.	QTY.	DESCRIPTION
1	792051	1	MICHIGAN SUPSENSION SEAT
2	601444	1	SEAT BELT
3	754101	2	CS .437-20 X 1.250 G5 ZNY
4	728147	4	FW .468 X 1.00 X .090 HT T ZN Y
5	N/A	1	SEAT PAN
6	109513	1	SEAT LATCH
7	036244	1	CS .375-16 X 1.000 HX G5
8	601371	1	RED GRIP 3/16 X 1 BAR HD
9	724716	1	FIBER WASHER
10	395160	1	SPRING
11	600994	2	RIVET NUT 3/8-16 THREAD
12	795161	2	VIBRATION MOUNT
13	086660	5	NT .375-16 HXZY NL
14	767954	10	FW .406 X .812 X .060 SAE
15	005132	2	CS .375-16 X 1.12 HX G5 Z
16	768523	8	FW .343 X .687 X .051
17	034272	4	NT .312-18 HX G5 ZNYC
18	000331	2	WIRE TIE, SMALL/SHORT
19	601620	1	SEAT PIGTAIL HARNESS
20	N/A	1	VERTICAL SEAT SUPPORT
21	029751	2	CS .375-16 X 1.000 HXFLK
22	601069	4	CN .312-18 X .200 MAX THK
23	601400	1	GROMMET
24	N/A	1	COVER PLATE
25	034280	4	CS .312-18 X .750 HX G5
26	010800816	2	HEX FLANGED BOLT M8 X 16 8.8

---

### **NOTES:**

1. In the event the seat pan, vertical seat support or cover plate need to be replaced on mowers with serial numbers prior to 09080000, order 109510 (Seat Support Kit).

# **Seat Assembly—S/N 09080000 and Higher**





---

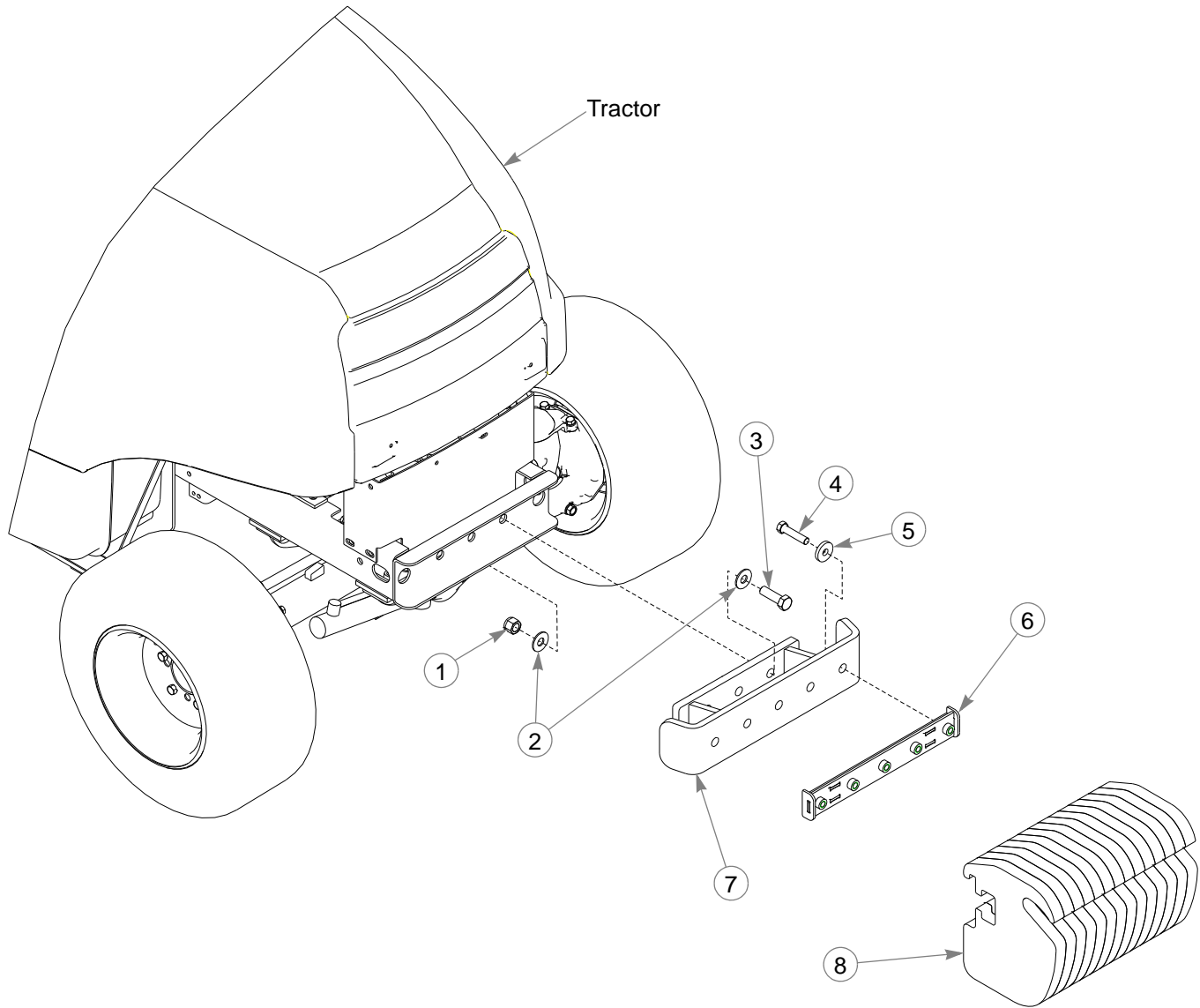
## **Seat Assembly—S/N 09080000 and Higher**

INDEX NO.	MFG. PART NO	QTY.	DESCRIPTION
1	792051	1	MICHIGAN SUPSENSION SEAT
2	601444	1	SEAT BELT
3	754101	2	CS .437-20 X 1.250 G5 ZNY
4	728147	4	FW .468 X 1.00 X .090 HT T ZN Y
5	550401	1	SEAT PAN (WITH DECALS)
6	600994	2	3/8-16 THREAD RIVET NUT
7	795161	2	VIBRATION MOUNT ROUND
8	710194	1	CB .375-16X 1.50 STD G5
9	086660	13	NT .375-16 HXZY NL
10	767954	19	FW .406X .812 X.060 SAE
11	005132	2	CS .375-16X1.12 HX G5 Z
12	000331	2	WIRE TIE, SMALL/SHORT
13	768523	10	FW .343X.687X.051/.080H
14	034272	4	NT .312-18 HX G5 ZNYC
15	601564	1	GAS SPRING
16	602206	1	CS M8-1.25 X 35 FLTHRD ZN
17	045336	1	NT M8X1.25 HX GR8.8 ZNY
18	601300	4	U-BOLT FST JACK
19	036244	2	CS .375-16X1.000 HX G5
20	111826	2	SEAT SUPPORT BRACE
21	109506	1	SEAT, VERTICAL W/A
22	601758	2	CN .375-16X.200 MAX THK
23	601069	4	CN .312-18X.200 MAX THK
24	029751	2	CS .375-16 X 1.000 HXFLK
25	058776	2	NT .312-18 HXZY NL
26	111698	1	LATCH BRACKET
27	601507	1	FW .406X1.000X.06 NYLON
28	111589	1	LATCH PLATE
29	704726	1	FW .406X 1.00X.105 ZNYC
30	754358	1	SB .375X.375 SH .312-18
31	064014	1	CS .312-18X .875 HX G5
32	111588	1	LATCH ROD W/A
33	601131	1	SPRING
34	712919	4	FW .406X 1.00X.12 HRD Z
35	601620	1	HARNES, SEAT PIGTAIL
36	601400	1	GROMMET
37	549428	1	COVER PLATE (WITH DECALS)
38	034280	4	CS .312-18X .750 HX G5
39	706176	1	NT .375-24 HX JAM G5 ZN
40	601059	1	KNOB 1.38 DIA 3/8-24
41	010800816	2	HEX FLANGED BOLT M8 X 16 8.8

---

### **NOTES:**

# Counter Weights



---

# **Counter Weights**

INDEX NO.	SERVICE PART NO.	QTY.	DESCRIPTION
1	058768	3	NT .625-11 HXZY NY
2	704783	6	FW .625 X 1.5000 X .105 ZN
3	016642	3	CS .625-11 X 2.00 HX G5 Z
4	761544	5	CS .500-13 X 2.250 G8 ZNY
5	108059	5	FW .515 X 1.500 X .250 ZY
6	109853	1	U-CLAMP
7	109846	1	WEIGHT MOUNT
8	109847	A/R	WEIGHT

---

## **NOTES:**

1. For information about amount of weight refer to attachment manual.



# Numerical Index

Part No.	Page No.	Part No.	Page No.	Part No.	Page No.
<b>Index</b>					
<b>Part Numbers</b>					
000331	10-3, 10-5	011510845	6-9	025100016	5-5, 5-17
005132	10-5	011511016	6-3, 6-7	025100020	5-15
010109206	7-5	011511020	2-3, 2-5, 2-7, 3-3, 4-9, 6-3, 6-7, 6-9, 6-15	026100006	4-7, 4-9, 6-15
010109265	6-9			026100008	4-7
010109337	7-5	011511025	5-5, 5-17, 7-11, 8-3	026100010	2-5, 3-3, 4-13, 6-11
010109435	2-5	011511030	5-7, 5-15, 5-17	026100014	4-11
010109502	2-3	011511040	5-11	026100024	5-5
010110660	6-15	011511050	5-15, 6-9	026109013	3-3
010111030	5-11	011511220	5-11, 5-12	027100005	2-7
010310820	2-3	011511230	3-3	027100008	4-11, 6-9, 7-5
010310825	4-9	011611020	6-15	027100010	5-7, 5-11, 5-15, 7-9
010310830	4-11	011800816	7-5	027100014	2-3, 6-15, 7-9
010310835	6-9	012110625	7-2	029751	10-3, 10-5
010310870	6-3	012111020	5-15	030102015	4-7
010311020	2-3, 7-9	012111025	5-5	030102020	4-11
010311025	2-3	012111035	5-7	030102025	4-7, 4-9
010311040	3-3, 7-5	012111040	5-5	030102516	2-5
010311070	4-7	012111050	5-7	030103225	4-7, 4-9, 4-13, 5-17
010331225	6-9	015140514	8-3	030300412	6-9
010411212	5-15, 5-17	015140616	4-7	030300528	6-3
010411425	2-3, 7-9	015150520	8-3	030300625	4-11
010700618	6-5	015300512	2-7	030300628	5-3, 5-11
010700620	6-3	015300614	6-12	030300632	4-7, 5-3
010700625	5-3, 5-5	015600416	2-7	030300840	4-13
010700855	5-15	016642	10-7	030300850	5-3
010701035	6-9	020100005	2-7	030303532	4-7
010701045	6-11	020109029	5-17	030500625	5-11
010800612	2-7, 7-7	020109079	5-5	030500820	5-5, 5-7, 5-15, 5-17
010800616	5-7, 7-7, 8-3	020109125	4-11	030501025	5-7, 5-17
010800620	6-15	020109125	4-11	030501032	5-5
010800814	8-3	020310010	4-7	031100004	6-3
010800816	2-7, 4-9, 4-11, 4-13, 5-11, 5-17, 6-3, 7-5, 10-3, 10-5	020700010	6-3	031100010	2-5
010800820	2-5, 7-7	020800014	5-17, 6-15	031310820	4-7, 4-9
010809007	2-5, 2-7	020900008	4-9, 4-11, 6-9	031311020	4-13
010810616	8-3	020900010	4-13, 7-5, 7-9	031311030	4-7
010810630	6-3	020900014	5-7	031311045	2-5
011140610	5-7	020910012	3-5, 5-21	034272	10-3, 10-5
011140612	5-13	021000010	5-7	034280	10-3, 10-5
011310616	7-9	021000012	4-7	036100010	6-9
011310620	6-15	021010010	5-11, 5-15	036100015	5-3
011310625	7-2	021300006	5-7	036100020	6-11
011311020	6-5	021500008	2-3, 4-7, 4-9, 6-3	036100025	5-5, 5-13, 6-11
011311225	2-3	021500010	2-3, 4-7, 7-9	036100030	5-9, 5-17
011510812	3-3, 5-3, 6-3	022300008	7-11	036100040	5-11
011510816	3-3	022300010	3-3, 4-7	036244	10-5
011510820	2-3, 5-5, 5-17, 6-7, 7-9	022400006	4-9, 6-15	036500030	6-11
011510825	7-13	022409003	2-3, 5-17	036500042	5-7
011510840	7-13	022509001	5-17	036500047	5-5
		023100005	2-5	036500052	5-5, 5-7, 6-12
		023100006	2-7, 7-2, 7-13, 8-3	036500055	6-11
		023100008	2-5, 2-7, 7-11	036500065	5-17
		025100012	5-15, 5-18	036500072	5-7

Part No.	Page No.	Part No.	Page No.	Part No.	Page No.
036800004	4-7	060610000	2-3, 3-3, 4-13	310161500	7-7
036800010	5-3	060620000	3-3, 3-5, 5-17	310161510	7-7
036800012	4-7, 4-9, 4-11	060640000	3-3	310250122	7-7
040106004	5-7, 6-3	064014	10-5	310300880	7-7
040106006	5-7	064210025	6-9	310301160	2-7
040106008	5-11	064400030	5-7	310301180	2-7
040106009	5-15	064600016	5-5, 5-17	310352641	2-7
040106010	5-11	067100043	7-7	310353850	2-7
040106204	5-5, 5-7	067100062	7-5	310353870	2-7
040106205	5-5, 5-17	067200078	7-11, 7-13	310353890	2-7
040106206	5-7, 5-17	067200130	7-13	310361381	7-7
040106207	5-7, 5-15	067200150	3-3	310361660	2-7
040106208	5-11	068109052	4-7	310550110	7-7
040106303	5-17	068109053	4-9, 6-3	310560050	7-7
040106304	5-5	068209075	7-11	310610460	7-9
040109034	5-17	080109061	1-1	310610470	7-9, 7-11
040109054	5-7	083279	9-5, 9-7, 9-9	310610480	7-9
040109065	5-17	086660	10-5	310610490	7-9
040116207	5-15	108059	10-7	310610510	7-9
040146000	6-9	109506	10-5	310610681	7-9
040146006	5-17	109513	10-3	312070670	4-7
042530205	5-15	109627	1-1	312100931	4-7
042532007	5-17	109821	1-1	312500502	4-7
042532206	5-5	109853	10-7	312700650	4-7
045336	10-5	110749	1-1	312700662	4-9
048100004	6-5	111588	10-5	312740230	4-9
048100010	5-3	111589	10-5	314102391	7-5
048109004	5-13	111698	10-5	314102410	7-5
050201325	5-5	111826	10-5	314102610	7-5
050202220	5-7	130340110	7-11	314141190	7-5
050202332	5-15	131646010	7-13	314430531	7-5
050203115	5-3, 5-5	135616400	7-2	314430650	7-5
050301165	5-15	135996590	7-2	314430670	7-5
050609047	5-11	139232	1-1	314500860	7-5
052100100	5-3, 7-13	140517020	1-1	314541250	7-5
052100110	5-7, 5-11, 6-3	199106020	6-15	314541680	7-5
052100140	6-5, 6-7, 6-9, 6-15	199280560	5-15, 5-17	314541890	7-5
052100150	6-3	199280580	5-5, 5-15, 5-18	314601701	7-5
052100160	6-7	199280590	5-5, 5-15, 5-18	314601871	7-5
052100200	6-3, 6-15	199280630	5-5	314990013	7-2, 7-5
052100210	5-13, 5-15	199280640	5-5	320040924	5-5, 5-9
052100250	6-7	199280650	5-5	320080101	5-7
052100400	7-13	199280720	5-15	320120500	5-5
052110110	6-12	199280730	5-15	320171630	5-15
052110290	3-5, 5-21	199280740	5-15	320201131	4-7
052300400	6-9	199280750	5-11	320201200	5-5
052300600	5-5, 6-3, 6-9	199280760	5-11	320210370	5-3
052300650	5-17	199280770	5-11	320260200	5-5
052300700	6-3	310100980	7-7	320551654	2-3
052310300	3-5, 5-21	310110190	7-7	320551671	2-3
052400380	5-21	310110200	7-7	320551690	2-3
052400520	3-5	310120260	7-7	320560771	2-3
058768	10-7	310130290	7-7	320690106	5-9
058776	10-5	310140910	2-7	320690108	5-9

Part No.	Page No.	Part No.	Page No.	Part No.	Page No.
320690111	5-9	322840795	6-11	326111090	5-15
320690112	5-9	322840796	6-11	326130343	5-11
320690130	5-9	322840797	6-11	326130472	5-11
320690149	5-9	322840799	6-11	326130530	5-15
320690154	5-9	322840800	6-11	326140030	5-11
320720230	6-9	322840801	6-11	326140211	5-15
320720290	5-7	322840802	6-11	326160030	5-11
322017760	5-15	322840803	6-11	326160060	5-15
322051270	5-15	322840804	6-11	326170060	5-11
322051500	5-5	322840805	6-11	326211660	5-17
322117431	5-17	322840806	6-11	326211670	5-17
322117451	5-17	322840807	6-11	326220420	5-11
322117471	5-17	322840808	6-11	326220430	5-11
322119060	5-5	322840809	6-11	326240600	5-17
322119080	5-7	322840810	6-11	326240690	5-17
322140270	5-5	322840813	6-11	326302050	5-11
322141990	5-5	322840814	6-11	326312401	5-17
322213450	5-7	322840817	6-12	326344970	5-13
322213490	5-17	322840818	6-12	326345230	5-15
322262800	6-3	322840819	6-12	326345250	5-15
322262850	5-15	322840820	6-12	326370840	5-17
322263130	5-15	322840821	6-12	326530330	5-11
322325740	5-7	322840822	6-12	326550210	4-13, 5-11
322325750	5-5	322840823	6-11	326570400	5-11
322325760	5-5	322840824	6-11	326610181	5-11
322327130	5-5	322840825	6-11	328110220	5-13
322327140	5-5	324106610	5-3	328260170	5-11
322327150	5-5	324106620	5-3	328300570	5-13
322361500	5-7	324106670	4-9	328300580	5-13
322371980	5-7	324106690	4-9	328320990	4-9
322513460	5-7	324106710	4-9	328360440	5-11, 5-12
322513491	5-17	324106720	5-3	328400560	4-9
322513660	5-15	324106770	4-11	328490045	5-13
322514580	5-5	324106780	4-11	328560190	5-13
322521520	5-7	324106790	4-11	328560400	5-13
322531610	5-7	324106800	4-7	328560410	5-13
322531621	5-5	324108031	4-7	328650191	4-9
322531630	5-7	324120980	6-9	330311370	5-17
322590820	5-5	324121000	4-7, 4-9	334011200	6-15
322610140	5-15	324202700	5-3	334293135	6-15
322613180	6-9	324202780	6-9	334525090	5-17
322630140	6-9	324312960	5-3	334712030	5-17
322800160	6-9, 6-11	324362080	4-9	334800360	4-11
322840727	6-11	324362090	4-9	334800420	4-11
322840728	6-11	324412290	5-3	334801360	5-17
322840773	6-11	324412390	5-3	334801390	5-17
322840774	6-11	324501260	6-9	340016721	6-3, 6-5
322840775	6-11	324501270	4-7	340060380	6-15
322840779	6-12	324501280	4-7	340106520	6-3
322840790	6-11	324541301	4-7	340106620	6-9
322840791	6-11	324910090	5-7	340170880	3-3
322840792	6-11	326010410	5-15	340292120	6-3, 6-5
322840793	6-11	326110593	5-11	340293826	6-5
322840794	6-11	326110880	5-15	340451030	6-3, 6-13

Part No.	Page No.	Part No.	Page No.	Part No.	Page No.
340460180	6-3	350502770	2-5	385101910	8-3
340490224	6-13	350502781	2-5	385150200	2-5, 8-3
340500750	1-1, 6-7	350755850	7-5	385200570	8-3
340501040	1-1, 6-7	350755992	2-5	385200731	8-3
340530290	6-7	355105920	2-5	385200891	8-3
340550870	6-3	355105930	2-5	385201810	8-3
340560340	6-7	355111970	2-5	385202110	8-3
340615881	5-7	355171760	2-5	385230250	8-3
340621880	6-3	355605290	2-3	385230300	8-3
340670030	6-7	355780230	2-7	385240038	8-3
340670280	5-17	355780250	2-7	385250130	8-3
340671220	6-15	358104750	4-13	385280210	8-3
340671381	6-15	358104770	4-13	385310020	8-3
340671730	6-3	358104780	4-11	385603370	8-3
340671810	6-3	358200930	4-11	385611040	8-3
340672830	3-3	358200940	4-13	385612820	8-3
340673520	6-7	358500261	4-13	385650461	8-3
340673590	3-3	358511120	4-13	385650511	8-3
340673640	6-7	358511220	4-11	385870301	8-3
340673820	3-3	358511230	4-11	385870640	8-3
340673870	6-9, 6-15	358511250	4-11	385891128	3-3
340690450	3-3	358511260	4-11	385960550	3-3
340692010	6-3	358550010	4-13	389101950	7-13
340692021	6-15	358550020	4-13	389320231	7-13
340692060	6-7	358550190	4-13	389410310	7-13
340692350	3-3	358560180	4-7	390173600	9-3
340692490	5-7	358560190	4-7	390173650	9-3
340692650	6-15	360102060	5-7	390191690	9-3
340693571	6-3	360102110	7-11	390197120	9-3
340707970	6-3	360200670	7-11	390197710	9-3
340707980	6-7	360300080	7-11	390197720	9-3
340707991	6-15	360410100	7-7	390292831	9-3
340708000	6-15	360700230	7-13	390297150	9-3
340708010	6-15	360710060	7-13	390372000	9-3
340708020	6-15	360720130	1-1, 7-13	390372400	9-3
340708040	6-3	360740123	7-13	398110100	2-7
340708050	6-3	360771060	7-13	398110110	2-3, 4-13, 7-11
340708060	6-3	360771080	7-13	398110240	7-7
340750301	6-3	360771170	7-7	398110501	7-7
344010270	3-3	360771280	7-7	398110550	7-9
344010280	3-3	360771290	7-13	398111640	4-11
344902310	3-3	360800040	7-13	398113000	4-13
344952381	5-17, 5-21	370310590	3-3	398113310	6-3
344952790	3-3, 3-5	370310610	3-3	398113570	7-11
344960429	3-5, 5-21	370770130	3-3	398114451	4-7
344960432	3-5, 5-21	370900760	3-3	398115430	2-5
344960436	3-5	378107720	2-5	398115500	5-5
344960437	3-5, 5-21	378107730	2-5	398115530	7-11
344960440	3-5, 5-18, 5-21	378107740	2-5	398115630	6-15
344960452	3-5, 5-21	378107750	2-5	398117180	4-11
350103830	2-5	378306890	2-3	398117710	2-7
350111380	2-5	378306910	2-3	398117790	4-13
350312260	2-7	378306930	2-3	398119670	7-7
350502753	2-5	378910020	6-9	398119870	8-3



Part No.	Page No.	Part No.	Page No.	Part No.	Page No.
398119972	7-5	398566470	5-5, 5-7	549428	10-5
398120410	2-5	398566480	5-7	550401	10-5
398120790	7-9	398750150	7-13	599730030	3-3
398120950	6-9	398750240	7-9, 8-3	600692	9-9
398121150	2-5	398750410	7-5	600994	10-5
398121160	7-7	398750420	6-3	601059	10-5
398121440	2-5	398750430	7-7	601069	10-3, 10-5
398123020	2-7	399030010	5-17	601131	10-5
398123110	2-7	399030030	5-17	601300	10-5
398130310	7-11	399100630	6-15	601400	10-3, 10-5
398131210	2-5	399110340	6-15	601415	9-5, 9-7
398131310	2-5	399111960	7-7	601444	10-3, 10-5
398133690	2-7	399111970	2-3	601507	10-5
398134730	2-7	399112130	6-15	601564	10-5
398180332	6-3	399113240	6-3	601604	9-5, 9-7, 9-9
398180610	6-3	399113620	7-7	601605	9-5, 9-7
398180671	2-5	399113650	4-7, 8-3	601606	9-5, 9-7, 9-9
398180890	4-9	399210710	5-17	601607	9-5, 9-7
398181770	2-7	399211890	4-7	601610	9-9
398182120	4-7	399232470	5-15	601612	9-9
398210280	5-3	399235520	5-7	601613	9-9
398210290	4-13	399235760	2-5	601620	10-3, 10-5
398211210	2-5	399260130	5-11	601622	9-5, 9-7
398211880	8-3	399261070	5-15	601625	9-5, 9-7, 9-9
398212310	3-3	399261080	5-15	601635	9-5, 9-7
398213340	5-13	399261260	5-11	601758	10-5
398213410	2-3	399261500	5-7	601968	9-5, 9-7
398214450	5-3	399310330	5-11	602075	9-5, 9-7
398214590	4-7, 5-11, 5-12	399370740	5-15	602206	10-5
398215500	4-9	399410140	4-7	602327	9-7
398230070	2-3	399431070	4-7, 4-9	704726	10-5
398330290	2-7	399564790	5-3	704783	10-7
398330320	2-7	399568660	5-7	706176	10-5
398380850	6-9	399568720	3-3	710194	10-5
398400430	5-15	399568730	4-7	712919	10-5
398400550	5-7	399568740	8-3	728147	10-3, 10-5
398480240	6-3, 6-15	399568750	8-3	728469	9-5, 9-7
398480320	6-3	399570110	6-3	754101	10-3, 10-5
398481040	6-3	399600110	3-3, 5-17	754358	10-5
398481300	6-3	399611460	2-3	761544	10-7
398510070	2-3, 4-13	399612071	5-17	767954	10-5
398510150	6-9	399612150	5-3	768523	10-3, 10-5
398510300	3-3	410810430	6-12	781245	9-9
398510350	5-15	485220181	8-3	785261	1-1, 7-5
398510750	7-13	490992440	9-3	785279	1-1, 7-5
398511310	4-11, 5-3	490992470	9-3	792051	10-3, 10-5
398511320	4-7, 4-9, 4-11	490992480	9-3	795161	10-5
398511930	5-7	490992490	9-3	928705	1-1
398511990	8-3	498211470	5-11	928713	1-1
398512160	2-5	498221080	6-9		
398560730	5-9	498221100	4-7		